

VM4*D1

VM4*D - 138 - 1 N 00 - B 1 02 *

Series external drain

Series internal drain

Torque

- 062 = 1.04 Nm/bar
- 074 = 1.22 Nm/bar
- 088 = 1.45 Nm/bar
- 102 = 1.68 Nm/bar
- 113 = 1.86 Nm/bar
- 128 = 2.11 Nm/bar
- 138 = 2.30 Nm/bar

Type of shaft

- 1 - keyed (SAE C)
- 3 - splined (SAE C)
- S - splined (SAE J718c)

Rotation

N - Bi-directional

*S = Severe duty motor

VM4D1-VM4SD1 : Drain port is plugged

View from shaft end:

CW rotation A = inlet B = outlet

CCW rotation A = outlet B = inlet

Modifications

Port connections

- 01 = SAE threaded port
SAE drain
- 02 = SAE 4 bolt flange
UNC threaded - SAE drain
- 04 = SAE 4 bolt flange
UNC threaded - BSPP drain
- M4 = SAE 4 bolt flange
metric threaded - BSPP drain

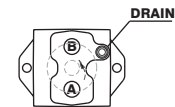
Seal class

- 1 - S1 (VM4D)
- 5 - S5 (VM4SD)

Design letter

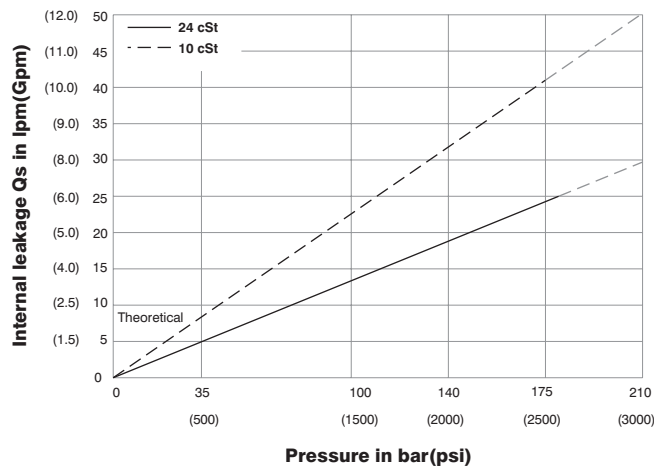
Porting combination

00 - standard

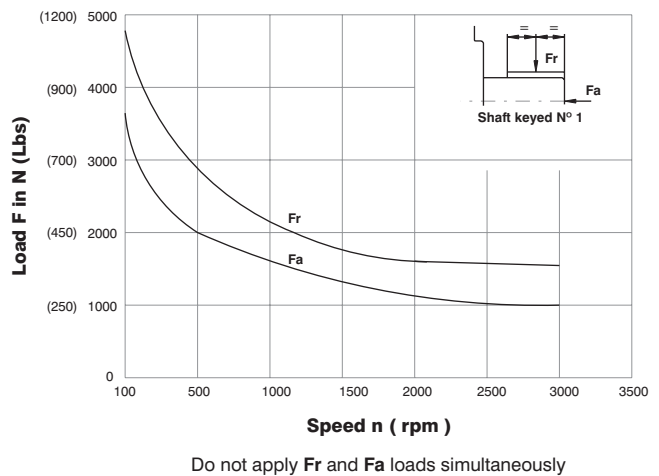


00

INTERNAL LEAKAGE

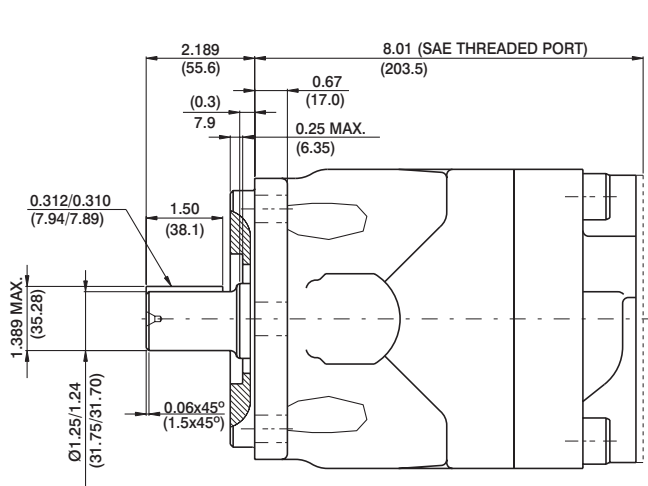


PERMISSIBLE RADIAL AND AXIAL LOADS

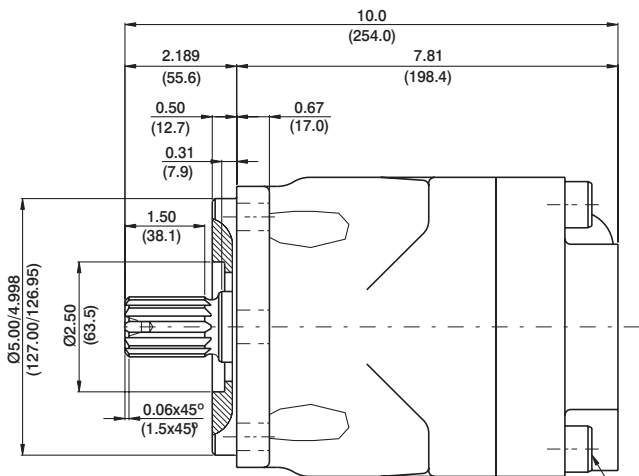
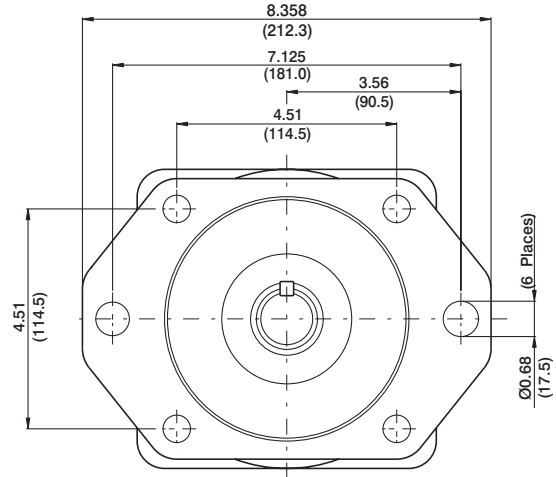


OPERATING CHARACTERISTICS - TYPICAL (24 cSt)

Model	Series	Volumetric Displacement Vi		Input flow at n = 2000 rpm				Torque T at n = 2000 rpm		Power output at n = 2000 rpm	
		in ³ /rev	cm ³ /rev	Theoretical		at 175 bar (2500 psi) Δp		at 175 bar (2500 psi) Δp		at 175 bar (2500 psi) Δp	
				GPM	l/min	GPM	l/min	in.lbf	Nm	HP	KW
VM4D-VM4SD	062	3.97	65.1	33.8	130.0	40.0	154.0	1460.0	165.0	46.4	34.6
	074	4.69	76.8	41.5	154.0	47.8	178.0	1770.0	200.0	56.2	41.9
	088	5.56	91.1	48.0	182.0	54.4	206.0	2088.5	236.0	66.2	49.4
	102	6.44	105.5	55.5	211.0	61.8	241.0	2336.3	264.0	74.1	55.3
	113	7.12	116.7	61.5	233.0	67.9	257.0	2655.0	300.0	84.2	62.8
	128	8.08	132.4	70.0	265.0	76.3	289.0	3009.0	340.0	95.5	71.2
	138	8.81	144.4	76.3	289.0	82.7	313.0	3292.0	372.0	104.5	77.9



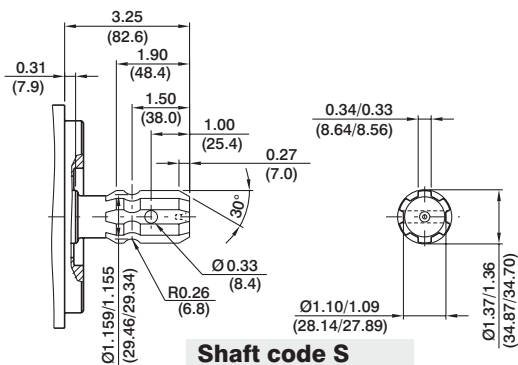
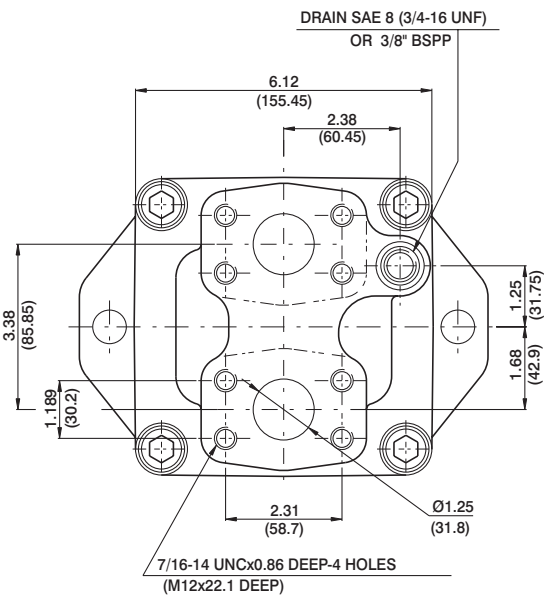
Shaft code 1
(Keyed SAE C)



Shaft code 3

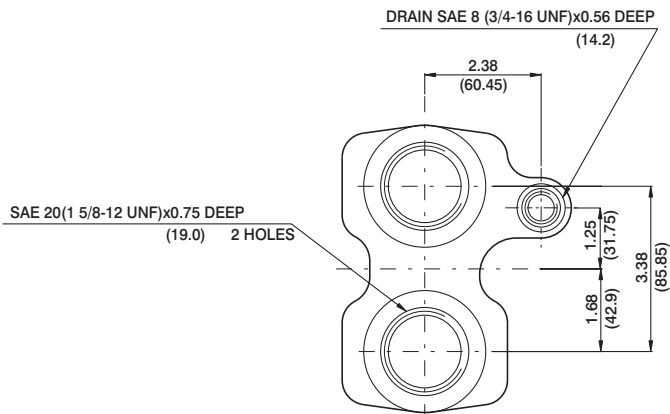
SAE C splined shaft
Class 1-J498b
12/24 dp. 14 teeth
30° pressure angle
Flat root side fit

MOUNTING TORQUE 133 ft.lbs
(180 Nm)



Shaft code S

SAE J718C
540 rpm power take-off
For Farm Tractor application



SAE THREADED PORT