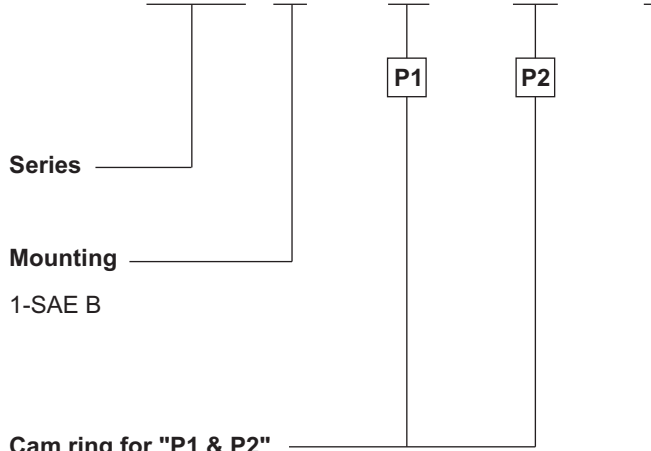


ORDERING CODE

VST7CC 1 - 017 - B08 - 1 R 00 - A 1 - 11 *



Series

Mounting

1-SAE B

Cam ring for "P1 & P2"

Volumetric displacement cm^3/rev (in^3/rev)

B02 = 5.7 (0.35)

B03 = 9.8 (0.60)

B04 = 12.8 (0.78)

B05 = 15.9 (0.97)

B06 = 19.8 (1.21)

B07 = 22.5 (1.37)

B08 = 24.9 (1.52)

B09 = 28.0 (1.71)

B10 = 31.8 (1.94)

B11 = 34.9 (2.13)

B12 = 40.9 (2.50)

B14 = 45.1 (2.75)

B15 = 50.0 (3.05)

B17 = 58.3 (3.56)

B20 = 63.8 (3.89)

B22 = 70.3 (4.29)

B25 = 79.3 (4.84)

Type of shaft

1 - Keyed (no SAE)

2 - Keyed (no SAE)

3 - Splined (SAE-BB)

5 - Splined (SAE-B)

Modifications

Mounting W/connection Variables

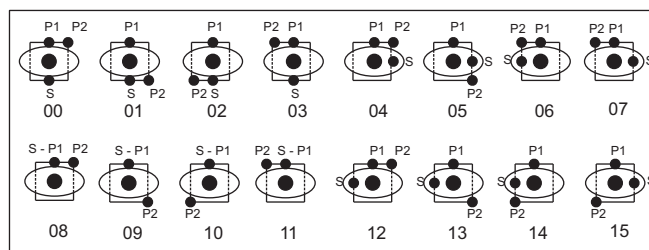
		P1=1"-S=2½"	
		1"	¾"
code	Unc	10	11
	Metric	1M	W1

Seal Class

1 - S1(for mineral oil)
 4 - S4(for fire resistant fluids)
 5 - S5(for mineral oil and fire resistant fluids)

Design Letters

Porting Combination

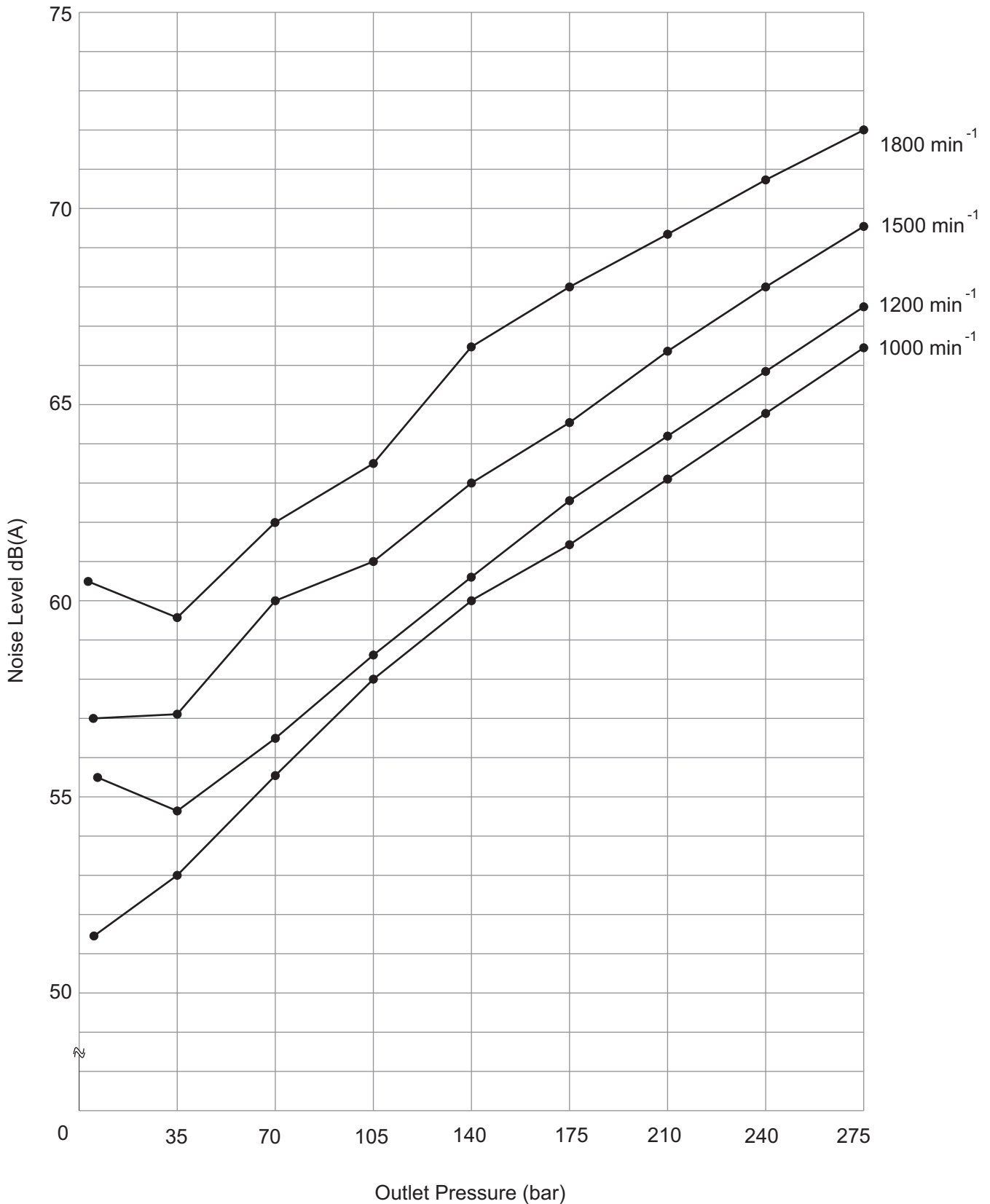


Direction of rotation (view on shaft end)

R - clockwise
 L - Counter - Clockwise



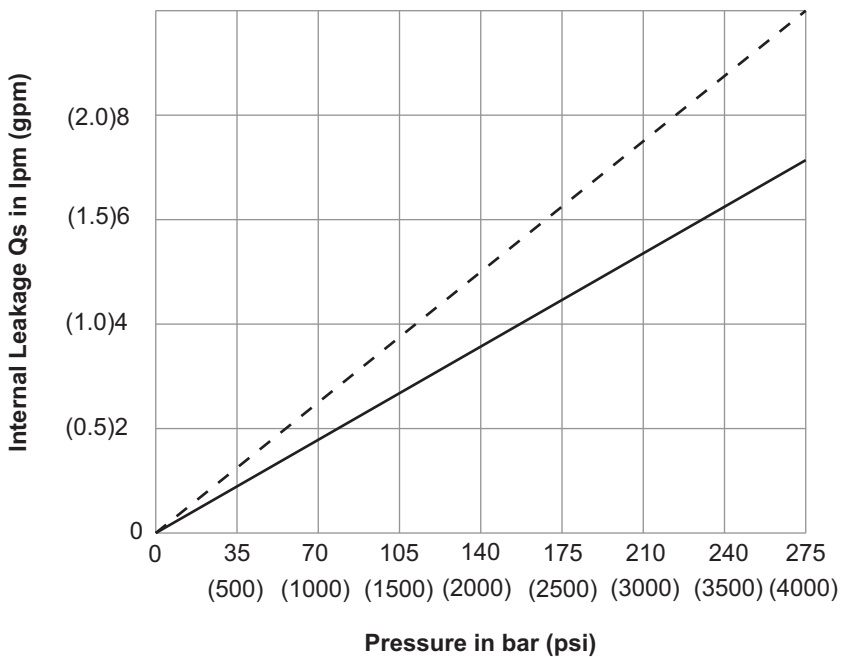
NOISE LEVEL (TYPICAL)
VST7CC - B17 - B08



Measurement Conditions: UIISO VG32 oil at 50°C and measured 1m from rear of pump cover

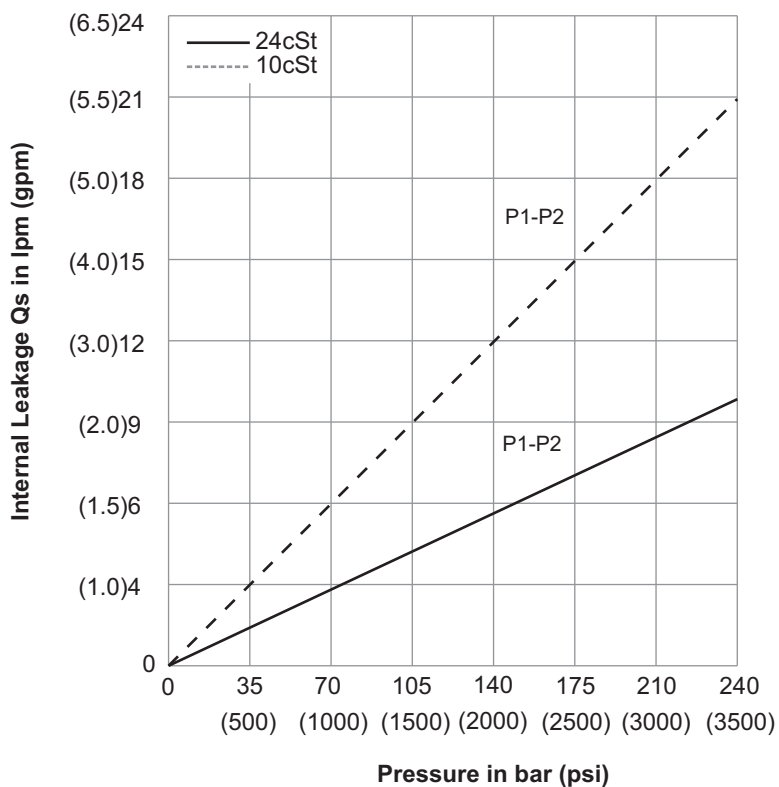
INTERNAL LEAKAGE (TYPICAL)

VST7CC B02 TO B15



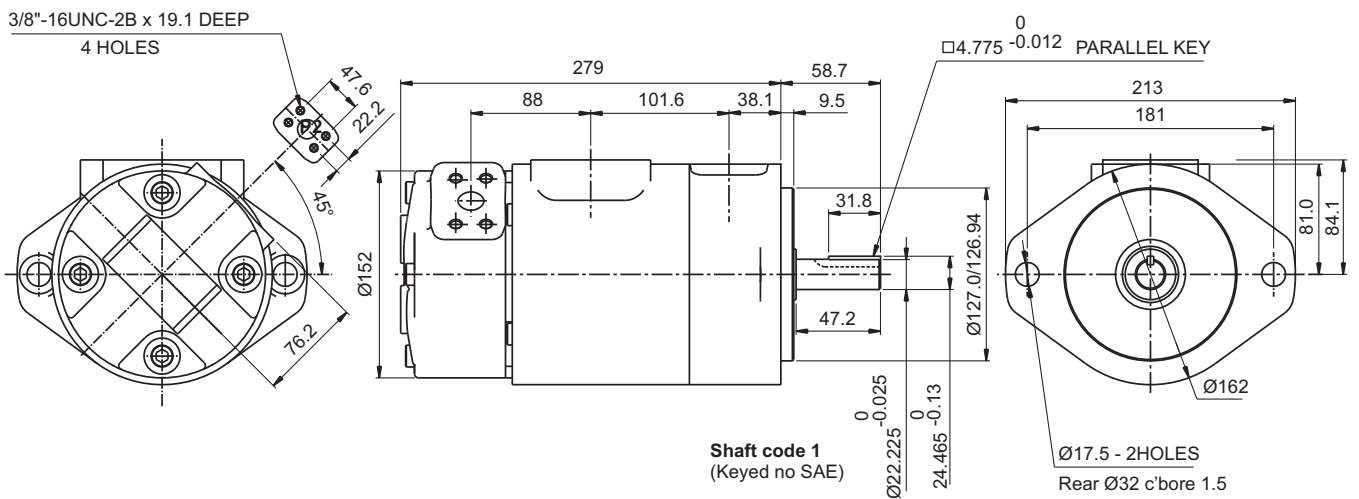
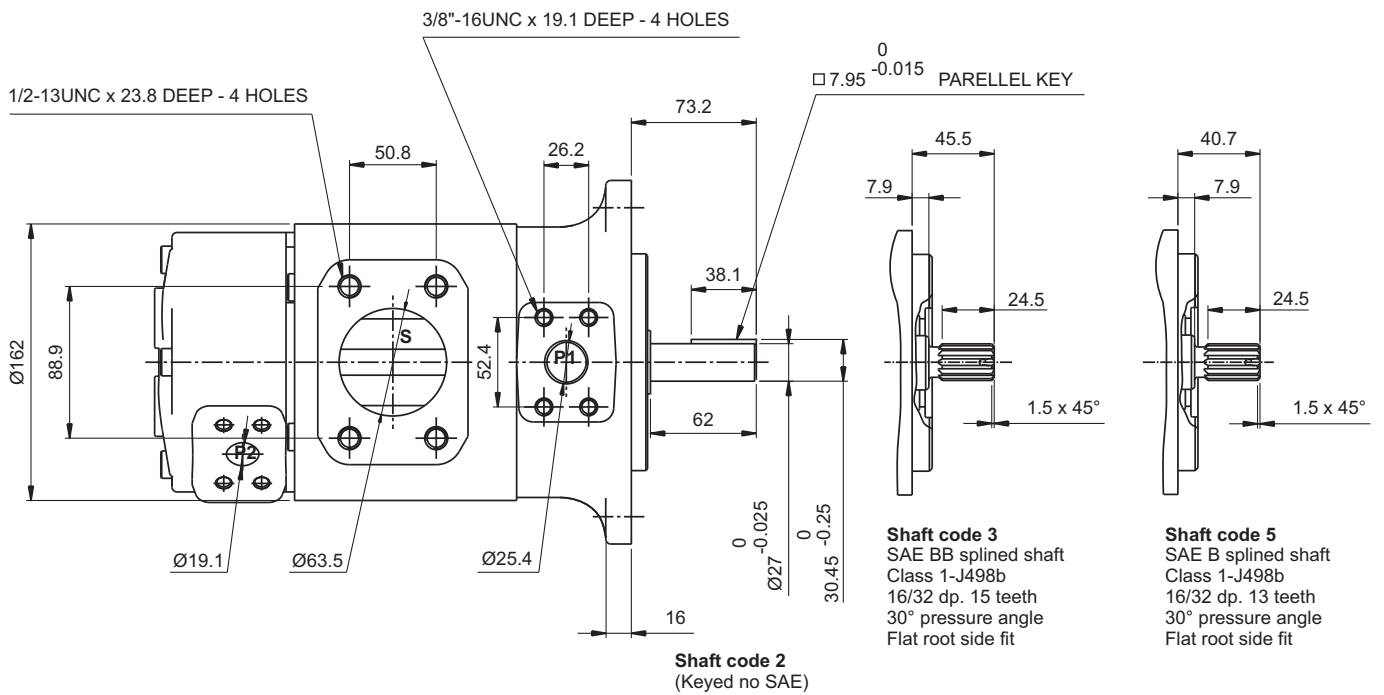
INTERNAL LEAKAGE (TYPICAL)

VST7CC B17 TO B25



DP

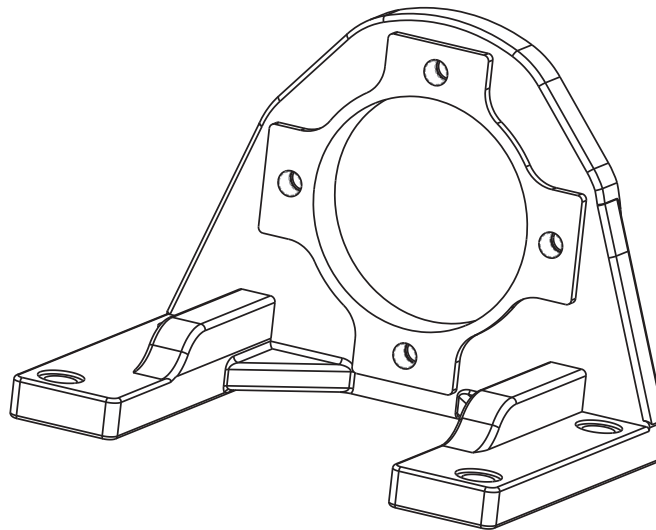
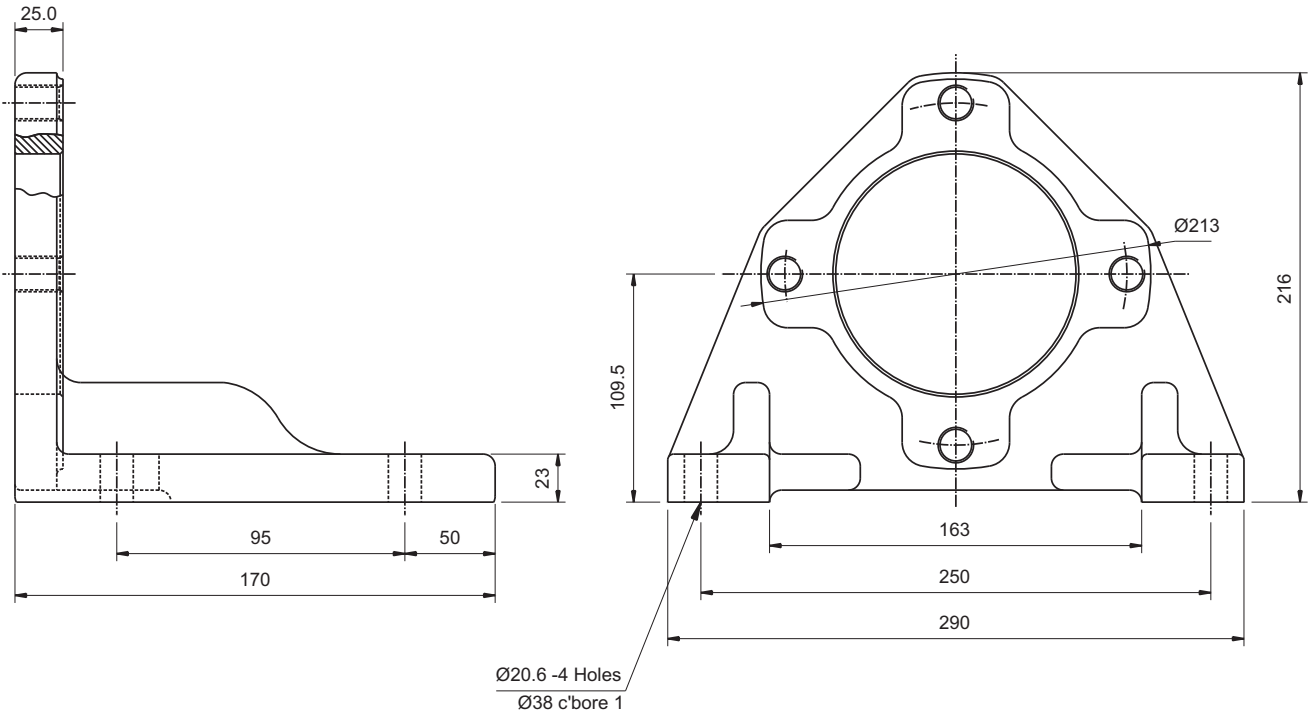
INSTALLATION DRAWING
FLANGE MOUNTING



Weight - 36.5 Kgs.

Shaft torque limits in ³ / rev x psi (ml / rev x bar)	
Shaft	Vp x p max. (P1+P2)
1	12666 (14300)
2	18972 (21420)
3	28937 (32670)
4	18246 (20600)

INSTALLATION DRAWING
FOOT MOUNTING



Weight-9.5 Kgs.

OPERATING CHARACTERISTICS (24 cSt)

Pressure port	Series	Volumetric Displacement Vp		Flow q (lpm) & n = 1500 rpm					
				p = 0 bar (0 psi)		p=140bar(2000psi)		p=240bar(3500psi)	
		in ³ /rev	cm ³ /rev	gpm	lpm	gpm	lpm	gpm	lpm
P1 & P2	B02	0.35	5.7	2.29	8.70	1.72	6.50	–	–
	B03	0.60	9.8	3.88	14.7	3.30	12.5	2.91	11.0
	B04	0.78	12.8	5.07	19.2	4.49	17.0	4.09	15.5
	B05	0.97	15.9	6.31	23.9	5.68	21.5	5.28	20.0
	B06	1.21	19.8	7.85	29.7	7.13	27.0	6.87	26.0
	B07	1.37	22.5	8.90	33.7	8.19	31.0	7.79	29.5
	B08	1.52	24.9	9.88	37.4	9.25	35.0	8.85	33.5
	B09	1.71	28.0	11.07	41.9	10.43	39.5	10.04	38.0
	B10	1.94	31.8	12.62	47.8	11.88	45.0	11.23	42.5
	B11	2.13	34.9	13.81	52.26	13.21	50.0	12.81	48.5
	B12	2.50	40.9	16.25	61.50	15.59	59.0	15.19	57.5
	B14	2.75	45.1	17.81	67.65	17.04	64.5	16.77	63.5
	B15	3.08	50.5	20.25	76.64	19.55	74.0	19.15	72.5
	B17	3.56	58.3	23.10	87.45	22.32	84.5	22.06	83.5
	B20	3.89	63.8	25.28	95.70	24.70	93.5	24.30	92.0
B22	4.29	70.3	27.87	105.5	27.21	103.0	26.81	101.5	
B25	4.84	79.3	31.44	119.0	31.04	117.5	30.64	116.0	



Pressure port	Series	Volumetric Displacement Vp		Input power p & n = 1500 rpm					
				p = 7 bar (100psi)		p=140bar(2000psi)		p=240bar(3500psi)	
		in ³ /rev	cm ³ /rev	hp	kw	hp	kw	hp	kw
P1 & P2	B02	0.35	5.7	0.62	0.46	3.08	2.30	–	–
	B03	0.60	9.8	0.71	0.53	4.96	3.70	8.35	6.23
	B04	0.78	12.8	0.78	0.58	6.37	4.75	10.77	8.03
	B05	0.97	15.9	0.86	0.64	7.78	5.80	13.18	9.83
	B06	1.21	19.8	0.95	0.71	9.49	7.08	16.40	12.23
	B07	1.37	22.5	1.01	0.75	10.74	8.01	18.28	13.63
	B08	1.52	24.9	1.06	0.79	12.00	8.95	20.42	15.23
	B09	1.71	28.0	1.14	0.85	13.39	9.99	22.84	17.03
	B10	1.94	31.8	1.23	0.92	15.13	11.28	25.25	18.83
	B11	2.13	34.9	1.30	0.97	16.69	12.45	28.46	21.23
	B12	2.50	40.9	1.45	1.08	19.51	14.55	33.29	24.83
	B14	2.75	45.1	1.54	1.15	21.23	15.83	36.52	27.23
	B15	3.08	50.5	1.68	1.25	24.21	18.05	41.34	30.83
	B17	3.56	58.3	1.85	1.38	27.49	20.50	47.24	35.23
	B20	3.89	63.8	1.98	1.48	30.31	22.60	51.80	38.63
B22	4.29	70.3	2.13	1.59	33.27	24.81	56.89	42.43	
B25	4.84	79.3	2.35	1.75	37.82	28.20	64.68	48.23	

Max. cont. pressure 240 bar upto B12 and 210 bar from B14 to B25
 Measurement Conditions: ISO VG32 oil at 50°C

CONSTRUCTION

- 1. Key
- 2. Shaft
- 3. Shaft Seal
- 4. Bearing
- 5. Retaining Ring
- 6. Mounting Flange
- 7. Cartridge
- 8. Housing
- 9. Bolts
- 10. Cartridge
- 11. Endcap
- 12. Bolts

