

ORDERING CODE

VST7DCC - 038 - 022 - B08 1 R 00 - B 1 - 00 *

Series

Cam ring for "P1"

Volumetric displacement cm^3/rev (in^3/rev)

014 = 43.9 (2.68)

017 = 55.0 (3.36)

020 = 66.0 (4.03)

022 = 70.3 (4.29)

024 = 81.1 (4.95)

028 = 89.9 (5.49)

031 = 99.1 (6.05)

035 = 113.4 (6.92)

038 = 120.6 (7.36)

042 = 137.5 (8.39)

Cam ring for "P2" & "P3"

Volumetric displacement cm^3/rev (in^3/rev)

B02 = 5.7 (0.35)

B03 = 9.8 (0.60)

B04 = 12.8 (0.78)

B05 = 15.9 (0.97)

B06 = 19.8 (1.21)

B07 = 22.5 (1.37)

B08 = 24.9 (1.52)

B09 = 28.0 (1.71)

B10 = 31.8 (1.94)

B11 = 34.9 (2.13)

B12 = 40.9 (2.50)

B14 = 45.1 (2.75)

B15 = 50.0 (3.05)

B17 = 58.3 (3.56)

B20 = 63.8 (3.89)

B22 = 70.3 (4.29)

B25 = 79.3 (4.84)

Modifications

Mounting W/connection Variables

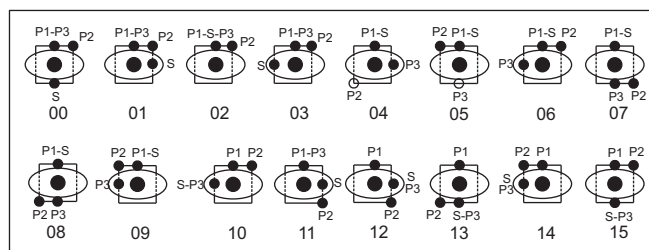
	UNC		METRIC	
	00	01	M0	M1
P2	1"	3/4"	1"	3/4"

Seal Class

- 1 - S1(for mineral oil)
- 4 - S4(for fire resistant fluids)
- 5 - S5(for mineral oil and fire resistant fluids)

Design Letters

Porting Combination



Direction of rotation (view on shaft end)

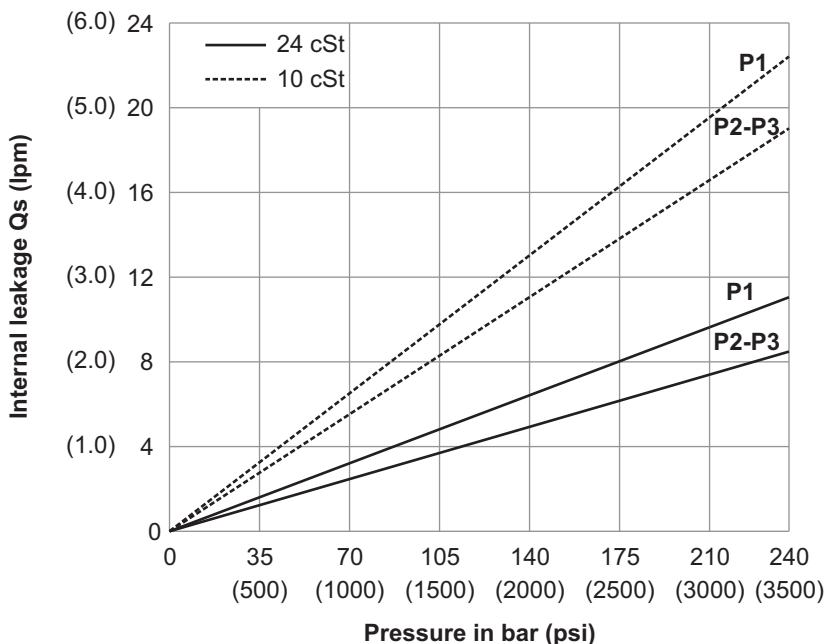
- R - clockwise
- L - Counter - Clockwise

Type of shaft

- 1 - Keyed
- 2 - Keyed (SAE CC)
- 3 - Splined (SAE-C)
- 4 - Splined (SAE-CC)
- 5 - Keyed(no SAE)

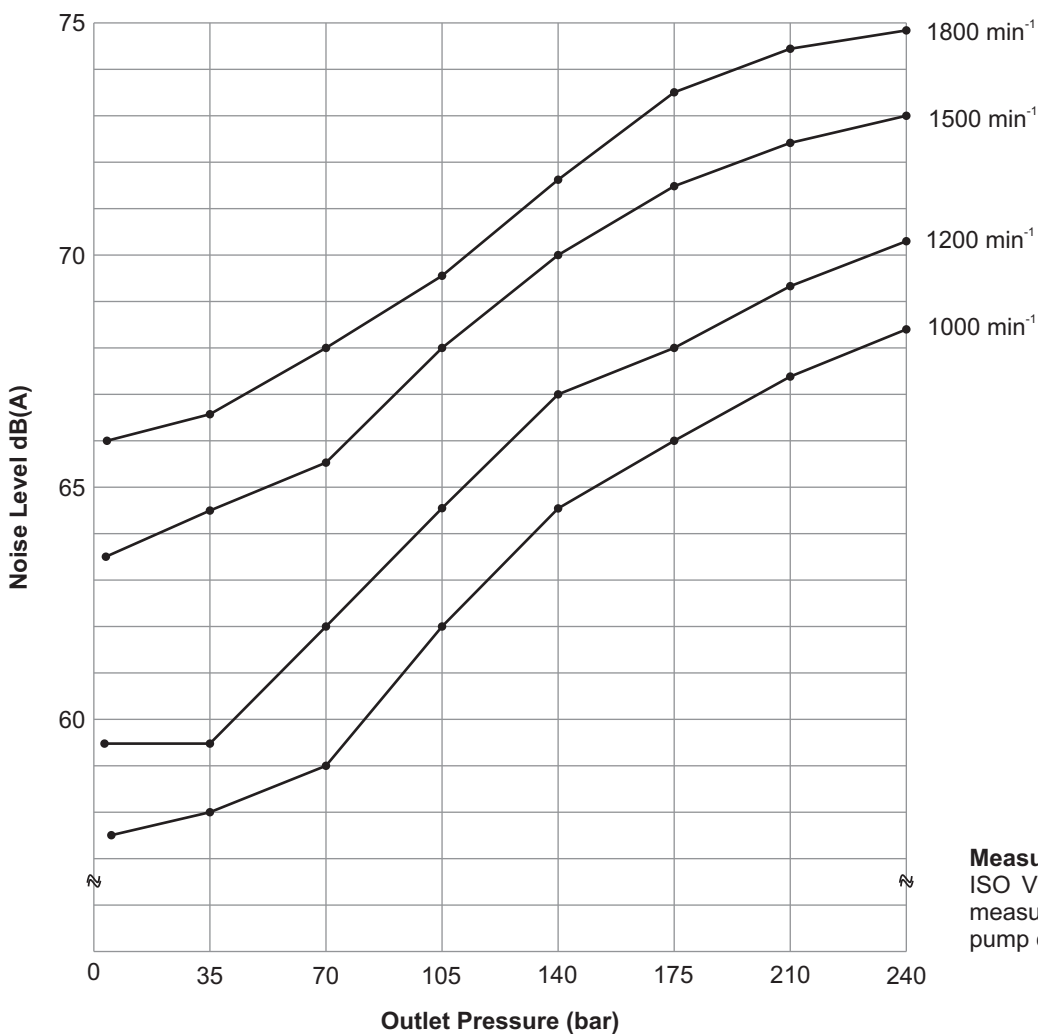
TP

INTERNAL LEAKAGE (TYPICAL)



Do not operate pump more than 5 seconds at any speed or viscosity if internal leakage is more than 50 of theoretical flow. Total leakage is the sum of each section loss at its operating conditions.

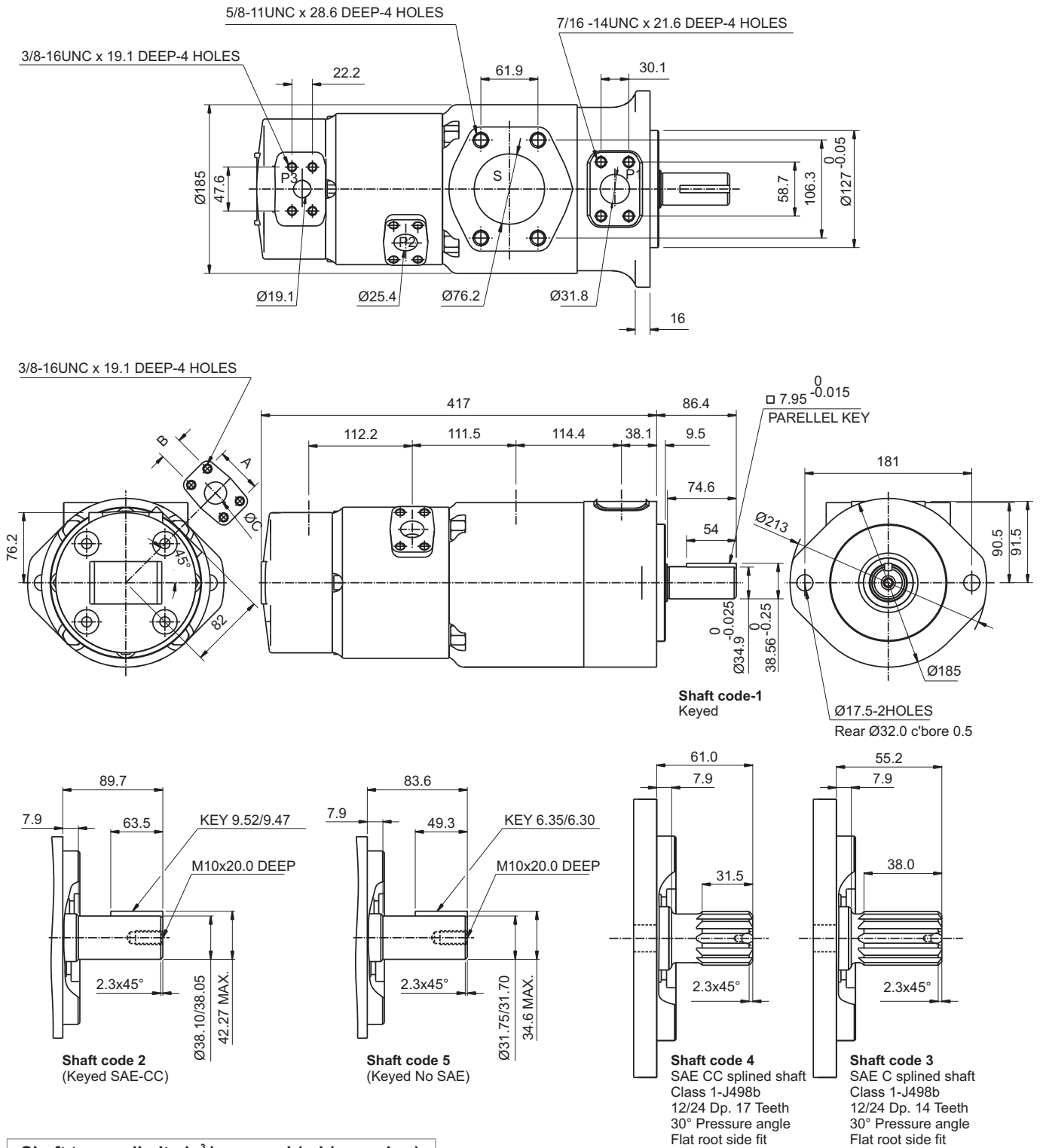
NOISE LEVEL (TYPICAL) VST7DCC-038-B22-B08



Measurement Conditions:
ISO VG32 oil at 50°C and measured 1m from rear of pump cover



INSTALLATION DRAWING
FLANGE MOUNTING



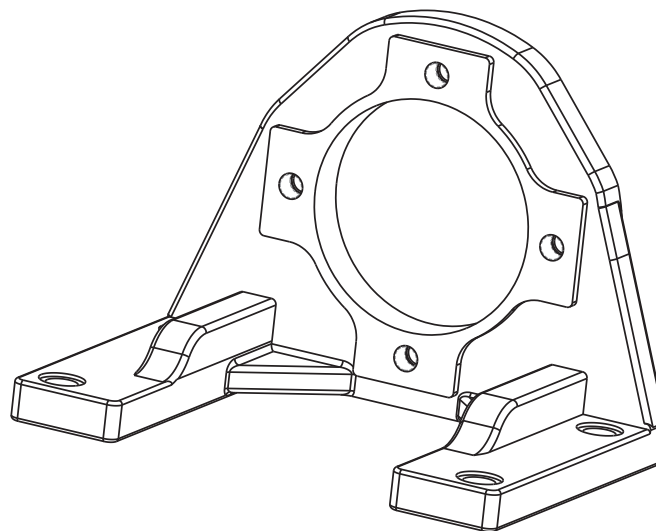
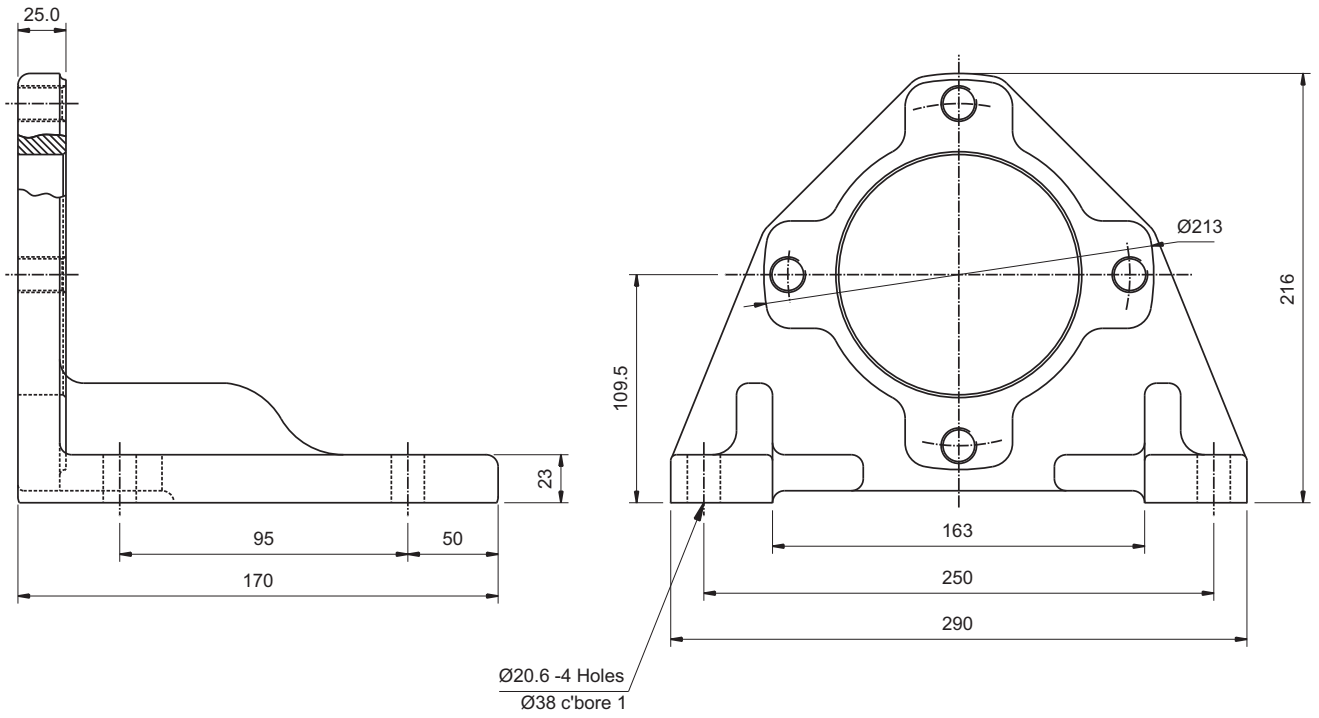
Shaft torque limits in³ / rev x psi (ml / rev x bar)

Shaft	Vp x p max. (P1+P2+P3)
1	38299 (43240)
2	58209 (66500)
3	54027 (61200)
4	58902 (66500)

Weight - 62.5 Kgs.

PORT	CODE	A	B	C
P3	00 & M0	2.06 (52.4)	1.03 (26.2)	1.00 (25.4)
	01 & M1	1.874 (47.6)	0.874 (22.2)	0.75 (19.05)

INSTALLATION DRAWING
FOOT MOUNTING



Weight-9.5 Kgs.

OPERATING CHARACTERISTICS (24 cSt)

Pressure port	Series	Volumetric Displacement Vp		Flow q (lpm) & n = 1500 rpm					
				p = 0 bar (0 psi)		p=140bar(2000psi)		p=240bar(3500psi)	
		in ³ /rev	cm ³ /rev	gpm	lpm	gpm	lpm	gpm	lpm
P1	014	2.68	43.9	18.88	71.40	16.42	62.10	14.78	55.95
	017	3.36	55.0	23.10	87.30	20.60	78.00	18.99	71.88
	020	4.03	66.0	26.19	99.00	23.73	89.70	22.08	83.58
	022	4.29	70.3	28.85	109.21	26.41	99.97	25.31	95.81
	024	4.95	81.1	31.56	119.3	29.10	110.00	27.46	103.95
	028	5.49	89.9	35.58	134.50	33.12	125.20	31.48	119.16
	031	6.05	99.1	39.00	147.50	36.53	138.10	34.89	132.07
	035	6.92	113.4	44.04	166.50	41.58	157.20	39.94	151.18
	038	7.36	120.6	47.72	180.40	45.26	171.10	43.62	165.12
	042	8.39	137.5	53.96	204.00	51.50	194.70	49.86	188.74

TP

Pressure port	Series	Volumetric Displacement Vp		Input power p & n = 1500 rpm					
				p = 7 bar (100 psi)		p = 140 bar (2000 psi)		p = 240 bar (3500 psi)	
		in ³ /rev	cm ³ /rev	hp	kw	hp	kw	hp	kw
P1	014	2.68	43.9	3.08	2.3	24.81	18.5	41.03	30.6
	017	3.36	55.0	3.35	2.5	29.77	22.2	49.62	37.0
	020	4.03	66.0	3.75	2.8	33.39	24.9	55.92	41.7
	022	4.29	70.3	4.00	2.9	36.50	27.7	63.80	46.6
	024	4.95	81.1	4.02	3.0	39.69	29.6	66.78	49.8
	028	5.49	89.9	4.29	3.2	44.52	33.2	74.96	55.9
	031	6.05	99.1	4.42	3.3	48.54	36.2	81.80	61.0
	035	6.92	113.4	4.69	3.5	54.58	40.7	92.13	68.7
	038	7.36	120.6	4.96	3.7	58.87	43.9	99.64	74.3
	042	8.39	137.5	5.36	4.0	66.25	49.4	112.24	83.7

Max, int. pressure 240 bar
 Max, cont. pressure 210 bar
 Measurement Conditions: ISO VG32 oil at 50°C

OPERATING CHARACTERISTICS (24 cSt)

Pressure port	Series	Volumetric Displacement Vp		Flow q (lpm) & n = 1500 rpm					
				p = 0 bar (0 psi)		p = 140 bar (2000 psi)		p = 240 bar (3500 psi)	
		in ³ /rev	cm ³ /rev	gpm	lpm	gpm	lpm	gpm	lpm
P2 & P3	B02	0.35	5.7	2.29	8.70	1.94	7.34	–	–
	B03	0.60	9.8	3.88	14.70	3.52	13.32	2.91	11.00
	B04	0.78	12.8	5.07	19.20	4.71	17.83	4.09	15.50
	B05	0.97	15.9	6.31	23.90	5.94	22.49	5.28	20.00
	B06	1.21	19.8	7.85	29.70	7.49	28.35	6.87	26.00
	B07	1.37	22.5	8.90	33.70	8.56	32.40	7.79	29.50
	B08	1.52	24.9	9.88	37.40	9.51	35.99	8.85	33.50
	B09	1.71	28.0	11.07	41.90	10.72	40.58	10.04	38.00
	B10	1.94	31.8	12.62	47.80	12.24	46.33	11.23	42.50
	B11	2.13	34.9	13.81	52.27	13.49	51.07	12.81	48.50
	B12	2.50	40.9	16.25	61.51	15.89	60.15	15.19	57.50
	B14	2.75	45.1	17.81	67.42	17.46	66.09	16.77	63.50
	B15	3.08	50.5	20.25	76.64	19.55	74.00	19.15	72.50
	B17	3.56	58.3	23.10	87.45	22.32	84.50	22.06	83.50
	B20	3.89	63.8	25.28	95.70	24.70	93.50	24.30	92.00
	B22	4.29	70.3	27.87	105.5	27.21	103.00	26.81	101.50
B25	4.84	79.3	31.44	119.0	31.04	117.50	30.64	116.00	

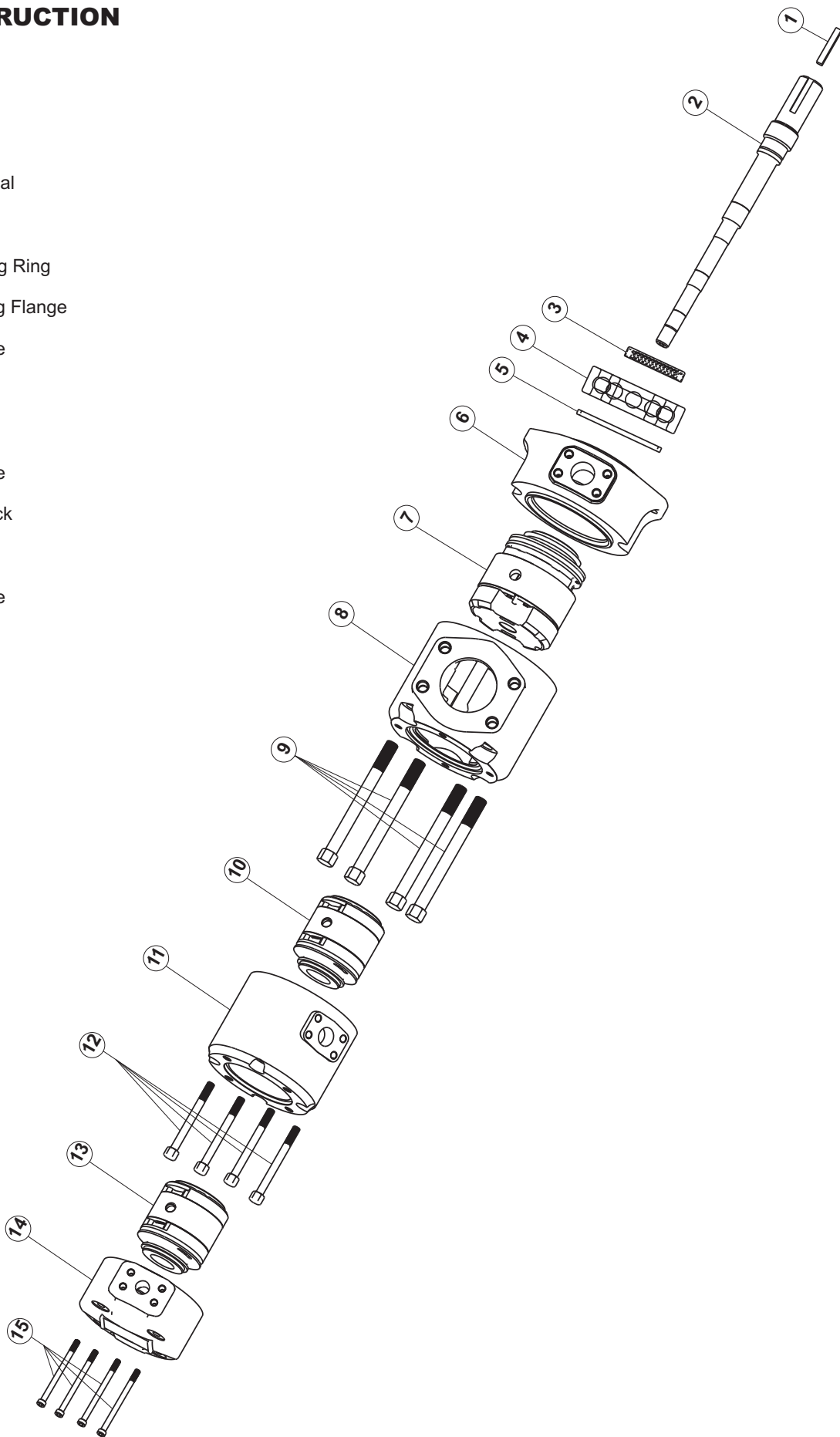


Pressure port	Series	Volumetric Displacement Vp		Input power p & n = 1500 rpm					
				p = 7 bar (100 psi)		p = 140 bar (2000 psi)		p = 240 bar (3500 psi)	
		in ³ /rev	cm ³ /rev	hp	kw	hp	kw	hp	kw
P2 & P3	B02	0.35	5.7	0.62	0.46	3.08	2.30	–	–
	B03	0.60	9.8	0.71	0.53	4.96	3.70	8.35	6.23
	B04	0.78	12.8	0.78	0.58	6.37	4.75	10.77	8.03
	B05	0.97	15.9	0.86	0.64	7.78	5.80	13.18	9.83
	B06	1.21	19.8	0.95	0.71	9.49	7.08	16.40	12.23
	B07	1.37	22.5	1.01	0.75	10.74	8.01	18.28	13.63
	B08	1.52	24.9	1.06	0.79	12.00	8.95	20.42	15.23
	B09	1.71	28.0	1.14	0.85	13.39	9.99	22.84	17.03
	B10	1.94	31.8	1.23	0.92	15.13	11.28	25.25	18.83
	B11	2.13	34.9	1.30	0.97	16.69	12.45	28.46	21.23
	B12	2.50	40.9	1.45	1.08	19.51	14.55	33.29	24.83
	B14	2.75	45.1	1.54	1.15	21.23	15.83	36.52	27.23
	B15	3.08	50.5	1.68	1.25	24.21	18.05	41.34	30.83
	B17	3.56	58.3	1.85	1.38	27.49	20.50	47.24	35.23
	B20	3.89	63.8	1.98	1.48	30.31	22.60	51.80	38.63
	B22	4.29	70.3	2.13	1.59	33.27	24.81	56.89	42.43
B25	4.84	79.3	2.35	1.75	37.82	28.20	64.68	48.23	

Max, cont. pressure 240 bar upto B12, 210 bar from B14 - B25
 Measurement Conditions: ISO VG32 oil at 50°C

CONSTRUCTION

1. Key
2. Shaft
3. Shaft Seal
4. Bearing
5. Retaining Ring
6. Mounting Flange
7. Cartridge
8. Housing
9. Bolts
10. Cartridge
11. Port Block
12. Bolts
13. Cartridge
14. Endcap
15. Bolts



TP