

VT6CCZ * - B22 - B08 - X R 00 - A 1 - 00 *

Series - SAE B 2 bolts

Mounting flange J744 c

One letter can be added to specify special parts in series

Cam ring for "P1" & "P2"

Volumetric displacement cm³/rev (in³/rev)

*B03/R03 = 10.8 (0.66)	B15/R15 = 50.5 (3.08)
B05/R05 = 17.2 (1.05)	B17/R17 = 58.3 (3.56)
B06/R06 = 21.3 (1.30)	B20/R20 = 63.8 (3.89)
B08/R08 = 26.4 (1.61)	B22/R22 = 70.3 (4.29)
B10/R10 = 34.1 (2.08)	B25/R25 = 79.3 (4.84)
B12/R12 = 37.1 (2.26)	B28/R28 = 88.8 (5.42)
B14/R14 = 46.0 (2.81)	B31/R31 = 100.0 (6.10)

*'B' - for Mobile

'R' - for Mobile - spring assisted

Type of shaft

- X - keyed
- W - keyed
- V - keyed
- S - Splined (DIN 5462)
- Z - Splined

Direction of rotation (view on shaft end)

- R - clockwise
- L - counter-clockwise

Modification

Mounting W/connection variables

code	P1=1" - S=3"		P1=1" - S=2 1/2"	
	P2	1"	3/4"	1"
Unc	00	01	10	11
Metric	0M	W0	1M	W1

- 1) for 46 ml/rev max.
 - 2) for 126 ml/rev max.
- The large cartridge must be always mounted in the front.

Seal class

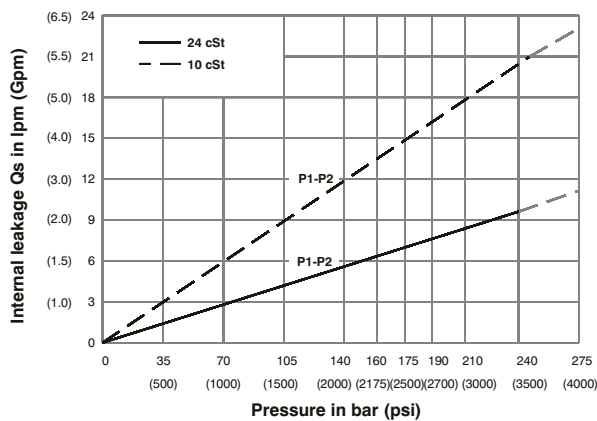
- 1 - S1 (for mineral oil)
- 4 - S4 (for fire resistant fluids)
- 5 - S5 (for mineral oil and fire resistant fluids)

Design letter

Porting combination (see page BM-1-5)

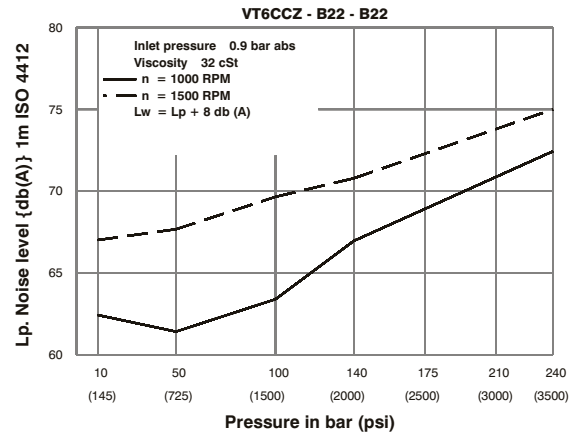
00 - standard

INTERNAL LEAKAGE (TYPICAL)



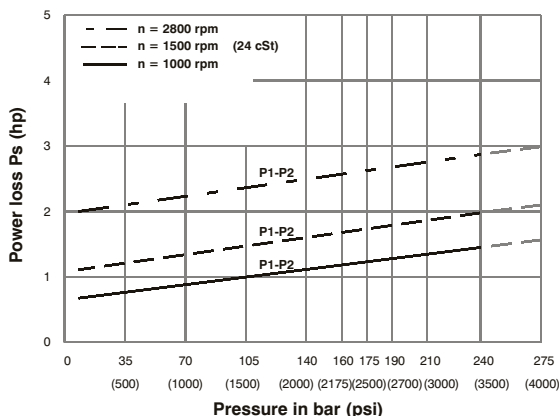
Do not operate pump more than 5 seconds at any speed or viscosity if internal leakage is more than 50% of theoretical flow. Total leakage is the sum of each section loss at its operating conditions.

NOISE LEVEL (TYPICAL)



Double pump noise level is given with each section discharging at the pressure noted on the curve.

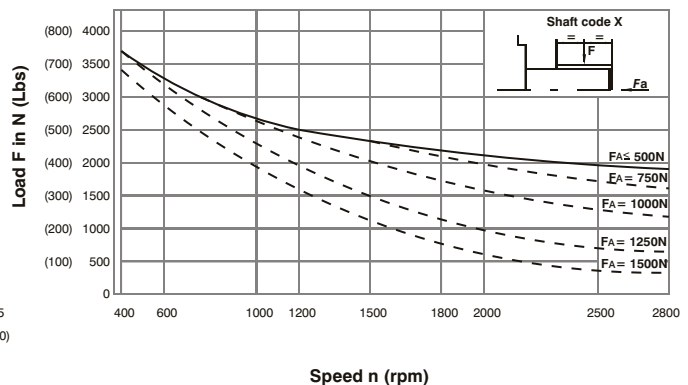
HYDROMECHANICAL POWER LOSS (TYPICAL)



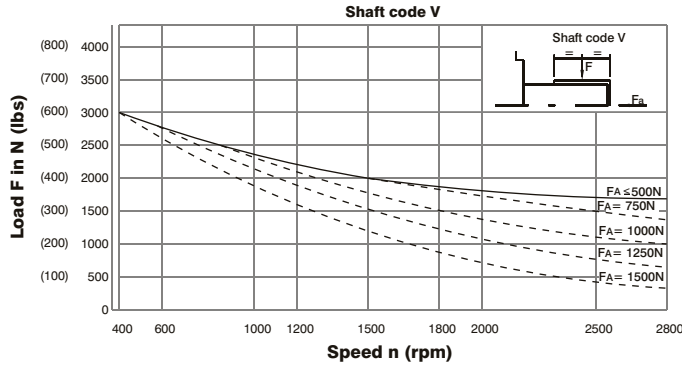
Total hydrodynamic power loss is the sum of each section at its operating conditions.

PERMISSIBLE RADIAL LOAD

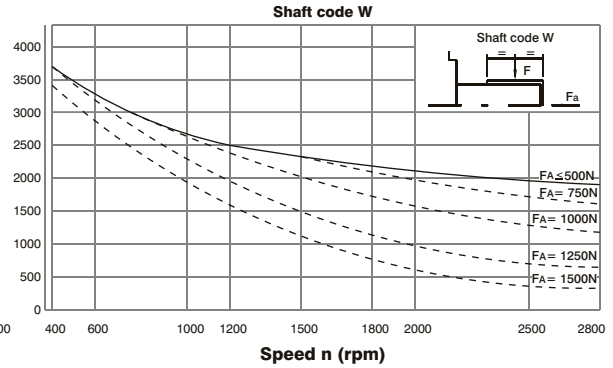
Shaft code X



PERMISSIBLE RADIAL LOAD



PERMISSIBLE RADIAL LOAD



These curves permit to simultaneously check the maximum permissible radial and axial load on the shaft involved. Those load value are determined for 10000 hours bearing lifetime at operating under F_a and F given. To get information for a different lifetime the radial load corrected is.

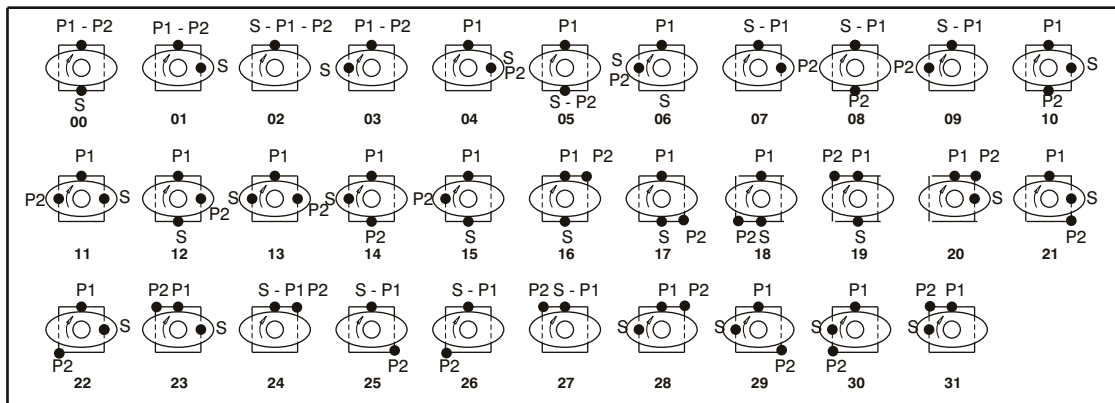
If F_a is smaller than minimum axial force on the curves then

$$\text{Correct } F = \frac{F \text{ curve}}{\left(\frac{LH \text{ Required}}{10000}\right)^{\frac{1}{3.33}}} \quad LH = \text{Lifetime in hours}$$

If F_a is higher than minimum axial force then F radial load is :

$$\text{Correct } F = \frac{F \text{ curve}}{\left(\frac{LH \text{ Required}}{10000}\right)^{\frac{1}{3}}}$$

Porting Diagrams

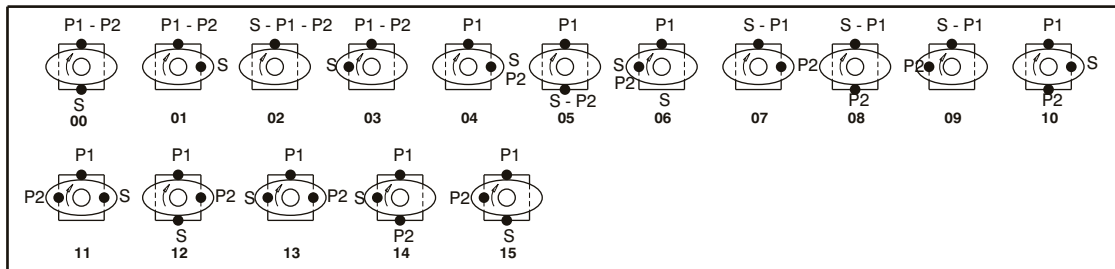


VT6CC/VT6CCM -VT6CCSH-VT6DC/VT6DCM -VT6EC/VT6ECM-VT6CP-VT6GCC

VT7BB/VT7BBS-VT7QCC-VT7DB/VT7DBS-VT7QDC

VT7EB/VT7EBS-VT7QEC

VT67CB-VT67DB-VT67EB-VT67BB-VT67CB-VT67EC

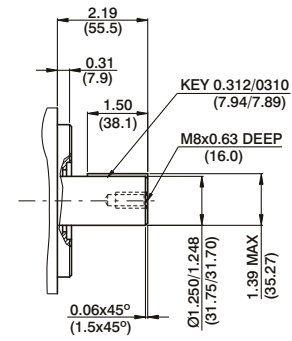
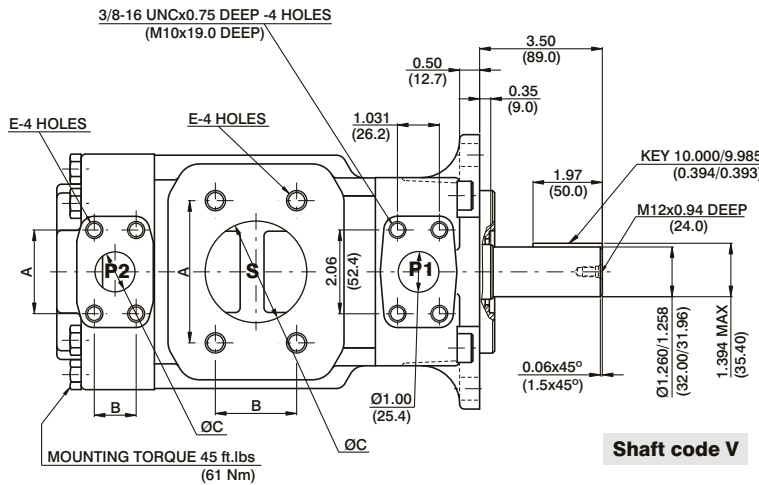


VT6DDS-VT6ED/VT6EDM-VT6EES

VT7DD/VT7DDS-VT7ED/VT7EDS

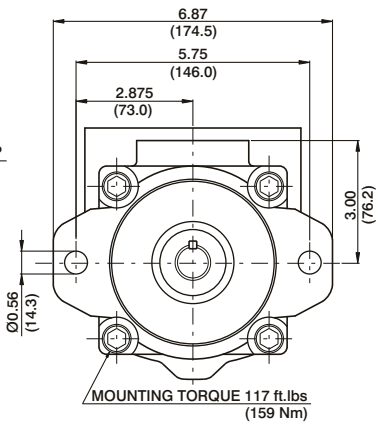
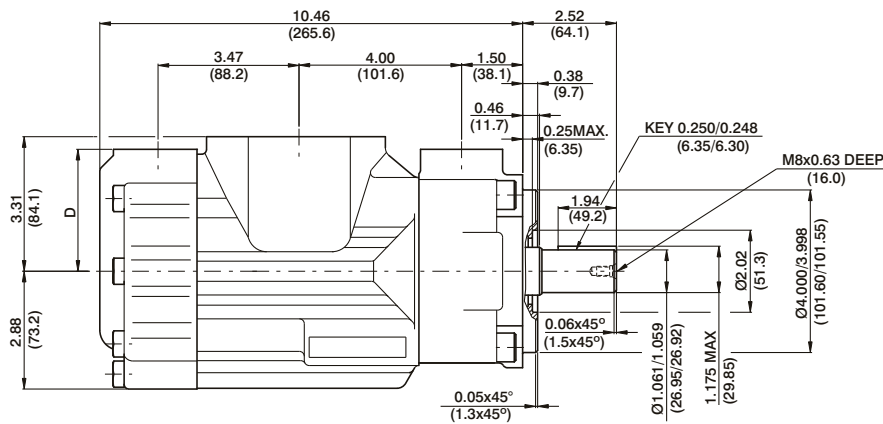
VT7EE/VT7EES

HIGH PERFORMANCE VANE PUMP VT6CCZ



Shaft code V

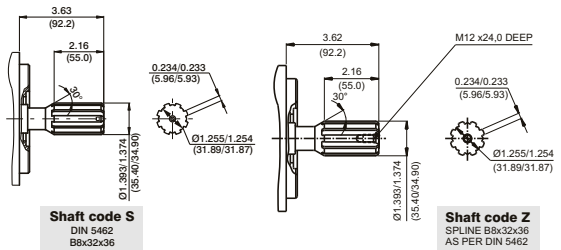
Shaft code W



Shaft code X

Shaft torque limits in ³ /rev x psi (ml/rev x bar)	
Shaft	Vp x p max. (P1+P2)
X	22500 (25400)
V	28937 (32670)
W	28937 (32670)

PORT	A	B	C	D	E
S	4.19 (106.4)	2.44 (61.9)	3.00 (76.2)		5/8-11UNCx1.12 DEEP (M16 x 28.4 DEEP)
S	3.50 (88.9)	2.00 (50.8)	2.50 (63.5)		1/2-13UNCx0.94 DEEP (M12 x 24.0 DEEP)
P2	1.874 (47.6)	0.874 (22.2)	0.75 (19.0)	3.00 (76.2)	3/8-16UNCx0.75 DEEP (M10x19.0 DEEP)
P2	2.06 (52.4)	1.03 (26.2)	1.00 (25.4)	2.94 (74.7)	



Shaft code S
DIN 5462
B8x32x36

Shaft code Z
SPLINE B8x32x36
AS PER DIN 5462

OPERATING CHARACTERISTICS - TYPICAL (24 cST) (Input power p (KW) for one cartridge only)

Pressure port	Series	Volumetric Displacement Vp		Flow q & n = 1500 rpm						Input power p & n = 1500 rpm					
		p = 0 bar (0 psi)		p = 140 bar (2000 psi)		p = 240 bar (3500 psi)		p = 7 bar (100 psi)		p = 140 bar (2000 psi)		p = 240 bar (3500 psi)			
		in ³ /rev	cm ³ /rev	gpm	lpm	gpm	lpm	gpm	lpm	hp	kw	hp	kw	hp	kw
P1 & P2	B03	0.66	10.8	4.29	16.2	2.83	10.7	--	--	1.74	1.3	7.11	5.3	--	--
	B05	1.05	17.2	6.83	25.8	5.37	20.3	4.17	15.8	1.88	1.4	10.06	7.5	16.36	12.2
	B06	1.30	21.3	8.44	31.9	7.01	26.5	5.82	22.0	2.01	1.5	11.94	8.9	19.71	14.7
	B08	1.61	26.4	10.48	39.6	9.02	34.1	7.83	29.6	2.15	1.6	14.35	10.7	22.93	17.7
	B10	2.08	34.1	13.52	51.1	12.08	45.7	10.89	41.2	2.28	1.7	18.64	13.4	29.90	22.3
	B12	2.26	37.1	14.71	55.6	13.28	50.2	12.08	45.7	2.28	1.7	19.31	14.4	32.32	24.1
	B14	2.81	46.0	18.25	69.0	16.79	63.5	15.60	59.0	2.55	1.9	23.60	17.6	39.56	29.5
	B15	3.08	50.5	20.00	75.6	18.62	70.4	17.46	66.0	2.68	2.0	25.61	19.1	42.91	32.0
	B17	3.56	58.3	23.12	87.4	21.69	82.0	20.50	77.5	2.82	2.1	29.37	21.9	49.48	36.9
	B20	3.89	63.8	25.32	95.7	23.86	90.2	22.67	85.7	2.95	2.2	31.92	23.8	53.91	40.2
	B22	4.29	70.3	27.88	105.4	26.45	100.0	25.26	95.5	3.08	2.3	35.00	26.1	59.14	44.1
	B25 ¹⁾	4.84	79.3	31.46	118.9	30.02	113.5	28.83	109.0	3.35	2.5	39.16	29.2	66.38	49.5
	B28 ^{1,2)}	5.42	88.8	35.24	133.2	33.78	127.7	32.93	124.5	3.75	2.8	43.85	32.7	73.95	54.4
B31 ^{1,2)}	6.10	100.0	39.68	150.0	38.22	144.5	37.38	141.3	3.75	2.8	48.95	36.5	81.25	60.0	

1) B25-B28-B31 = 2500 R.P.M. max. 2) B28-B31 = 210 bar (3000 psi) max. int.

-- Not to use because internal leakage greater than 50% theoretical flow.