



VT6GC - B22 - 6 R 00 - A 1 - 00 -

Series

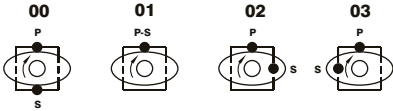
Cam ring

Volumetric displacement cm³/rev (in³/rev)

- B03 = 10.8 (0.66) B15 = 50.5 (3.08)
- B05 = 17.2 (1.05) B17 = 58.3 (3.56)
- B06 = 21.3 (1.30) B20 = 63.8 (3.89)
- B08 = 26.4 (1.61) B22 = 70.3 (4.29)
- B10 = 34.1 (2.08) B25 = 79.3 (4.84)
- B12 = 37.1 (2.26) B28 = 88.8 (5.42)
- B14 = 46.0 (2.81) B31 = 100.0 (6.10)

Type of shaft

6 - splined (DIN 5462)



S - Suction port **P** - Pressure port

Modifications

Mounting W/connection variables

	UNC		METRIC	
	00	01	M0	M1
S=1 1/2"	SAE	SAE	SAE	SAE
P=1	BSPP	SAE	BSPP	SAE

Seal class

1 - S1

Design letter

Porting combination

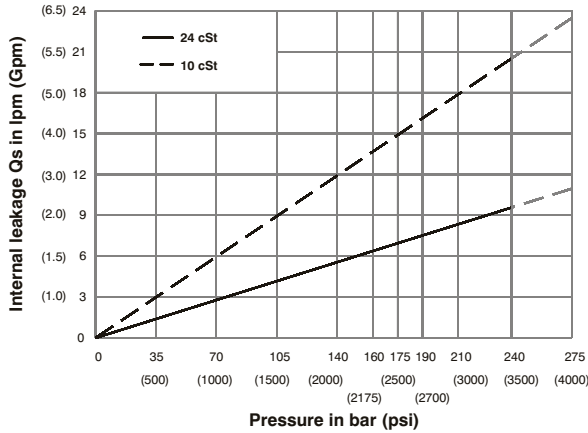
00 - standard

Direction of rotation (view on shaft end)

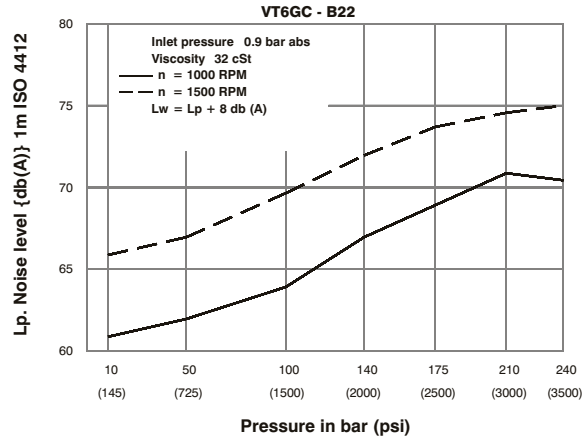
R - clockwise

L - counter-clockwise

INTERNAL LEAKAGE (TYPICAL)

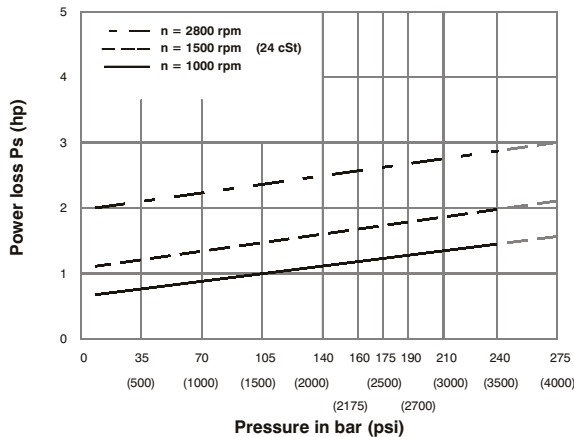


NOISE LEVEL (TYPICAL)

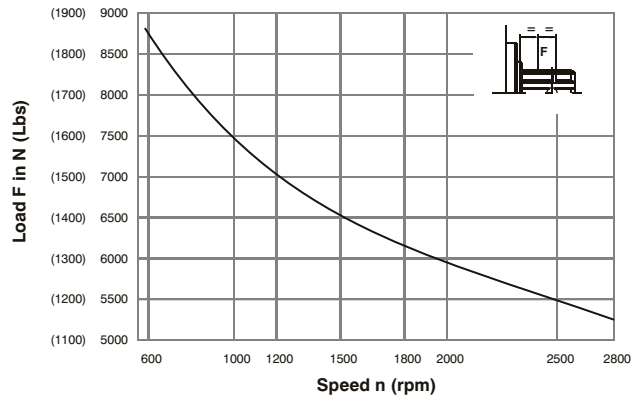


Do not operate pump more than 5 seconds at any speed or viscosity if internal leakage is more than 50% of theoretical flow.

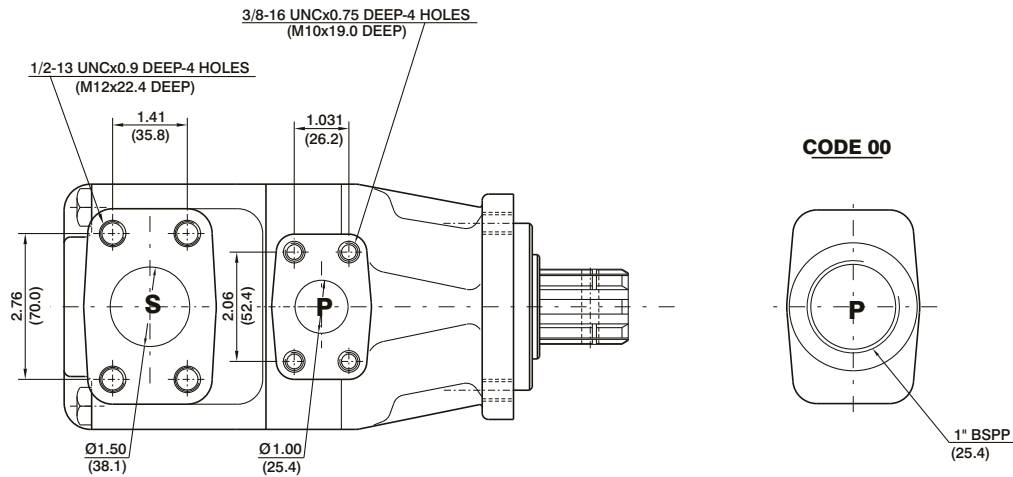
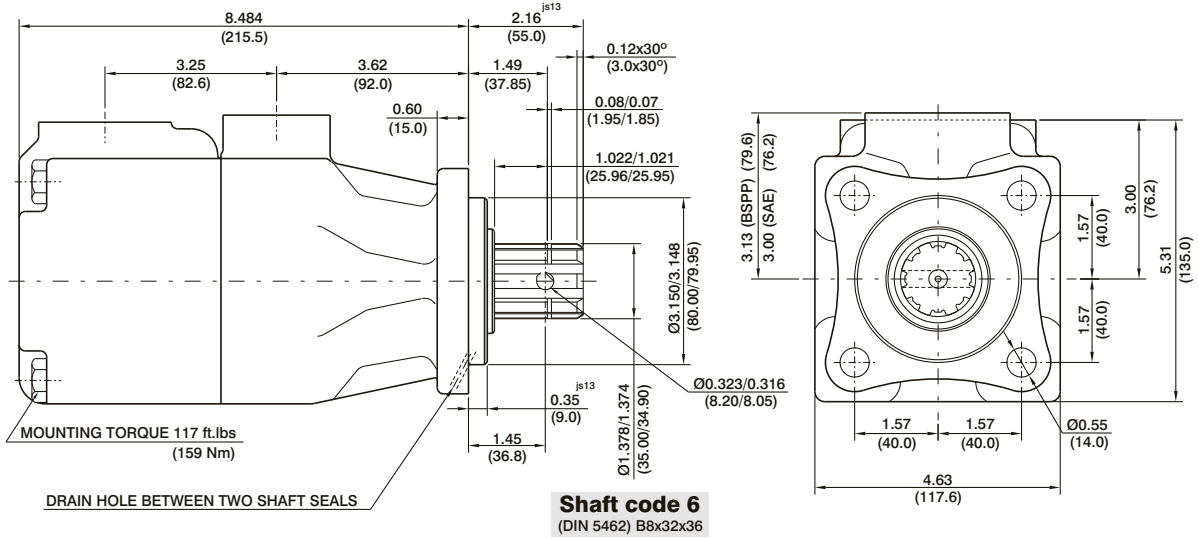
HYDROMECHANICAL POWER LOSS (TYPICAL)



PERMISSIBLE RADIAL LOAD



Life time 3000 hours when 70% of the time at 500 N and 30% at max. load.



OPERATING CHARACTERISTICS - TYPICAL (24 cST)

Pressure port	Series	Volumetric Displacement Vp		Flow q & n = 1500 rpm						Input power p & n = 1500 rpm					
		in ³ /rev	cm ³ /rev	p = 0 bar (0 psi)		p = 140 bar (2000 psi)		p = 240 bar (3500 psi)		p = 7 bar (100 psi)		p = 140 bar (2000 psi)		p = 240 bar (3500 psi)	
		gpm	lpm	gpm	lpm	gpm	lpm	gpm	lpm	hp	kw	hp	kw	hp	kw
VT6GC	B03	0.66	10.8	4.29	16.2	2.83	10.7	--	--	1.74	1.3	7.11	5.3	--	--
	B05	1.05	17.2	6.83	25.8	5.37	20.3	4.17	15.8	1.88	1.4	10.06	7.5	16.36	12.2
	B06	1.30	21.3	8.44	31.9	7.01	26.5	5.82	22.0	2.01	1.5	11.94	8.9	19.71	14.7
	B08	1.61	26.4	10.48	39.6	9.02	34.1	7.83	29.6	2.15	1.6	14.35	10.7	22.93	17.7
	B10	2.08	34.1	13.52	51.1	12.08	45.7	10.89	41.2	2.28	1.7	18.64	13.4	29.90	22.3
	B12	2.26	37.1	14.71	55.6	13.28	50.2	12.08	45.7	2.28	1.7	19.31	14.4	32.32	24.1
	B14	2.81	46.0	18.25	69.0	16.79	63.5	15.60	59.0	2.55	1.9	23.60	17.6	39.56	29.5
	B15	3.08	50.5	20.00	75.6	18.62	70.4	17.46	66.0	2.68	2.0	25.61	19.1	42.91	32.0
	B17	3.56	58.3	23.12	87.4	21.69	82.0	20.50	77.5	2.82	2.1	29.37	21.9	49.48	36.9
	B20	3.89	63.8	25.32	95.7	23.86	90.2	22.67	85.7	2.95	2.2	31.92	23.8	53.91	40.2
	B22	4.29	70.3	27.88	105.4	26.45	100.0	25.26	95.5	3.08	2.3	35.00	26.1	59.14	44.1
	B25 ¹⁾	4.84	79.3	31.46	118.9	30.02	113.5	28.83	109.0	3.35	2.5	39.16	29.2	66.38	49.5
	B28 ^{1,2)}	5.42	88.8	35.24	133.2	33.78	127.7	32.93	124.5	3.75	2.8	43.85	32.7	65.04	48.5
B31 ^{1,2)}	6.10	100.0	39.68	150.0	38.22	144.5	37.38	141.3	3.75	2.8	48.95	36.5	72.95	54.4	

1) B25-B28-B31 = 2500 R.P.M. max.

2) B28-B31 = 210 bar (3000 psi) max. int.

-- Not to use because internal leakage greater than 50% theoretical flow.