

**VT7QDCC - 038 - 028 - 008 - 1 R 00 - A 1 - 00 - \***

**Series** \_\_\_\_\_

P1

P2

P3

**Cam ring for "P1"**

Volumetric displacement cm<sup>3</sup>/rev (in<sup>3</sup>/rev)

B14 = 43.9 (2.68)	B31 = 99.1 (6.05)
B17 = 55.0 (3.36)	B35 = 113.4 (6.92)
B20 = 66.0 (4.03)	B38 = 120.6 (7.36)
B22 = 70.3 (4.29)	B42 = 137.5 (8.39)
B24 = 81.1 (4.95)	045 = 145.7 (8.89)
B28 = 89.9 (5.49)	050 = 157.9 (9.64)

**Cam ring for "P2" & "P3"**

Volumetric displacement cm<sup>3</sup>/rev (in<sup>3</sup>/rev)

* 003/B03/Y03 = 10.8 (0.66)	015/B15/Y15 = 50.5 (3.08)
005/B05/Y05 = 17.2 (1.05)	017/B17/Y17 = 58.3 (3.56)
006/B06/Y06 = 21.3 (1.30)	020/B20/Y20 = 63.8 (3.89)
008/B08/Y08 = 26.4 (1.61)	022/B22/Y22 = 70.3 (4.29)
010/B10/Y10 = 34.1 (2.08)	025/B25/Y25 = 79.3 (4.84)
012/B12/Y12 = 37.1 (2.26)	028/B28/Y28 = 88.8 (5.42)
014/B14/Y14 = 46.0 (2.81)	031/B31/Y31 = 100.0 (6.10)

\*'0' - Uni-directional 'B' - Bi-directional 'Y' - Bi-directional for cold start

**Type of Shaft**

- 1 - Keyed (no SAE)
- 2 - Keyed (SAE CC)
- 3 - Splined (SAE C)
- 4 - Splined (SAE CC)

**Modifications**

**Mounting w/connection variables**

	UNC		METRIC	
	00	01	M0	M1
P3	1"	3/4"	1"	3/4"

**Seal class**

- 1 - S1 (for mineral oil)
- 4 - S4 (for fire resistant fluids)
- 5 - S5 (for mineral oil and fire resistant fluids)

**Design letter**

**Porting combination** (see page CI-1-4,5)

00 = Standard

**Direction of rotation (view on shaft end)**

R - Clockwise  
L - Counter-clockwise



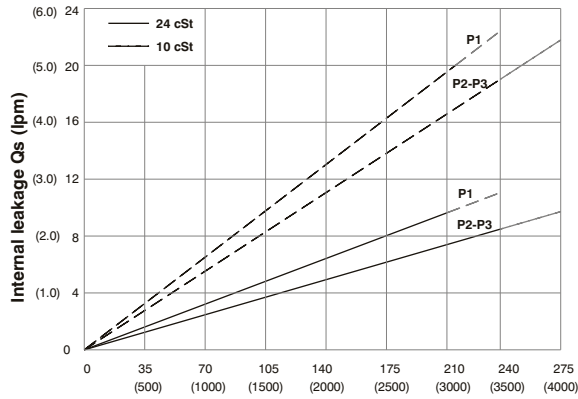
## OPERATING CHARACTERISTICS - TYPICAL (24 cST) (Input power p (KW) for one cartridge only)

Pressure port	Series	Volumetric Displacement Vp		Flow q & n = 1800 rpm						Input power p & n = 1800 rpm					
		in <sup>3</sup> /rev	cm <sup>3</sup> /rev	p = 0 bar (0 psi)		p = 140 bar (2000 psi)		p = 250 bar (3630 psi)		p = 7 bar (100 psi)		p = 140 bar (2000 psi)		p = 250 bar (3630 psi)	
				gpm	lpm	gpm	lpm	gpm	lpm	hp	kw	hp	kw	hp	kw
P1	B14	2.68	43.9	20.92	79.1	19.18	72.5	17.81	67.3	3.46	2.60	27.77	20.70	47.03	35.00
	B17	3.36	55.0	26.16	98.8	24.41	92.3	23.04	87.0	3.77	2.80	33.88	25.30	57.71	43.00
	B20	4.03	66.0	31.39	118.6	29.64	112.0	28.27	106.8	4.07	3.00	39.98	29.80	68.39	50.90
	B22	4.29	70.3	33.43	126.4	31.69	119.8	30.32	104.6	4.19	3.10	42.37	31.60	72.57	54.00
	B24	4.95	81.1	38.57	145.8	36.82	139.2	35.45	134.0	4.49	3.40	48.36	36.10	83.06	61.90
	B28	5.49	89.9	42.80	161.8	41.06	155.2	39.69	150.0	4.74	3.50	53.30	39.70	91.70	68.30
	B31	6.05	99.1	47.18	178.3	45.43	171.7	44.06	166.5	4.99	3.70	58.41	43.60	100.63	75.00
	B35 <sup>1)</sup>	6.92	113.4	53.93	203.9	52.18	197.2	50.81	192.0	5.39	4.00	66.29	49.40	114.42	85.30
	B38 <sup>1)</sup>	7.36	120.6	57.35	216.8	55.61	210.2	54.24	204.9	5.59	4.20	70.28	52.40	121.42	90.50
	B42 <sup>2)</sup>	8.39	137.5	65.39	247.2	63.65	240.6	62.28	235.4	6.05	4.50	79.66	59.40	137.83	102.70
	045 <sup>3)</sup>	8.89	145.7	69.29	262.0	67.11	253.6	65.31	246.8	6.74	5.00	83.75	62.40	145.79	108.70
050 <sup>4)</sup>	9.64	157.9	75.14	284.0	72.96	275.8	71.78	271.3	7.08	5.30	90.58	67.50	134.50	100.30	
P2 & P3				p = 0 bar (0 psi)	p = 140 bar (2000 psi)	p = 300 bar (4350 psi)	p = 7 bar (100 psi)	p = 140 bar (2000 psi)	p = 300 bar (4350 psi)						
	003	0.66	10.8	5.14	19.6	3.85	14.6	--	--	2.11	1.57	8.45	6.30	--	--
	005	1.05	17.2	8.18	30.9	6.89	26.0	4.34	16.44	2.29	1.70	12.00	8.94	23.97	17.88
	006	1.30	21.3	10.13	38.3	8.84	33.4	5.71	21.6	2.40	1.78	14.28	10.64	28.96	21.60
	008	1.61	26.4	12.55	47.4	11.26	42.6	8.12	30.72	2.54	1.89	17.11	12.75	35.08	26.16
	010	2.08	34.1	16.22	61.3	14.93	56.4	11.81	44.64	2.76	2.06	21.38	15.94	44.25	33.00
	012	2.26	37.1	17.64	66.7	16.35	61.8	13.24	50.04	2.84	2.11	23.05	17.18	47.47	35.40
	014	2.81	46.0	21.88	82.7	20.59	77.8	17.46	66.00	3.09	2.30	27.99	20.87	58.73	43.80
	015	3.08	50.5	23.99	90.7	22.83	86.3	19.39	73.32	3.21	2.40	30.30	22.60	63.56	47.40
	017	3.56	58.3	27.73	104.8	26.44	99.9	23.33	88.2	3.43	2.55	34.81	25.95	73.54	54.84
	020	3.89	63.8	30.34	114.7	29.05	109.8	25.93	98.04	3.58	2.66	37.86	28.23	80.14	59.76
	022 <sup>5)</sup>	4.29	70.3	33.43	126.4	32.14	121.5	29.05	109.8	3.76	2.80	41.47	30.92	80.94	60.36
	025 <sup>5,7)</sup>	4.84	79.3	37.71	142.5	36.42	137.6	--	--	4.01	2.99	46.46	34.64	--	--
	028 <sup>5,8)</sup>	5.42	88.8	42.23	159.6	40.94	154.7	--	--	4.27	3.18	51.74	38.58	--	--
	031 <sup>5,8)</sup>	6.10	100.0	47.56	179.7	46.27	174.9	--	--	4.58	3.41	57.95	43.21	--	--

1) B35-B38 = 280 bar (4060 psi) max.int. 2) B42 = 260 bar (3770 psi) max.int. 3) 045 = 240 bar (3500 psi) max. int. 4) 050 = 210 bar (3000 psi) max. int  
5) 025-028-031 = 2500 R.P.M. max. 6) 022 = 275 bar max. int, 7) 025 = 240 bar max. Int, 8) 028-031 = 210 bar (3000 psi) max. int.

-- Not to use because internal leakage greater than 50% of theoretical flow

## INTERNAL LEAKAGE (TYPICAL)

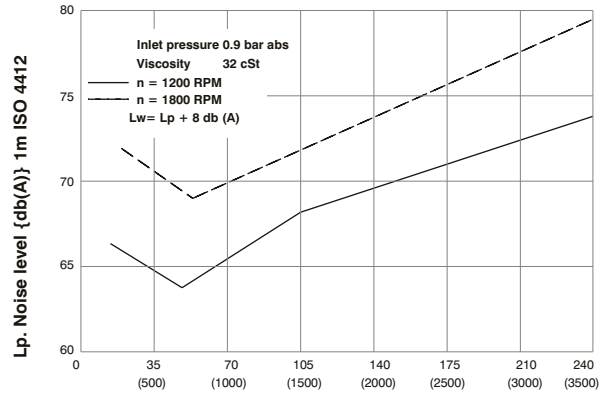


Pressure in bar (psi)

Do not operate pump more than 5 seconds at any speed or viscosity if internal leakage is more than 50% of theoretical flow. Total leakage is the sum of each section loss at its operating conditions.

## NOISE LEVEL (TYPICAL)

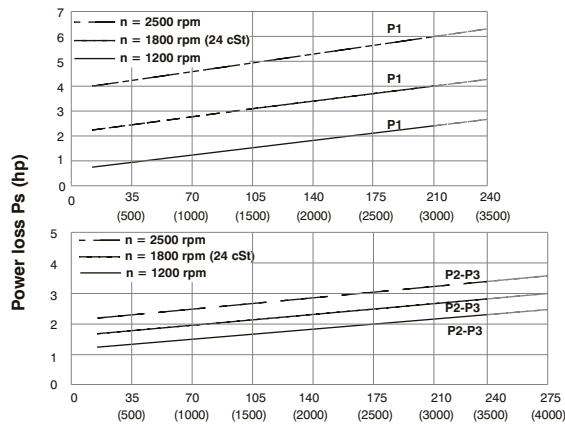
VT7QDCC- B31-022-022



Pressure in bar (psi)

Triple pump noise level is given with each section discharging at the pressure noted on the curve.

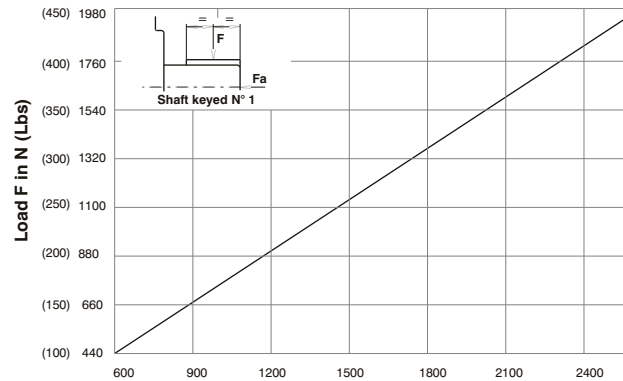
## HYDROMECAHNICAL POWER LOSS (TYPICAL)



Pressure in bar (psi)

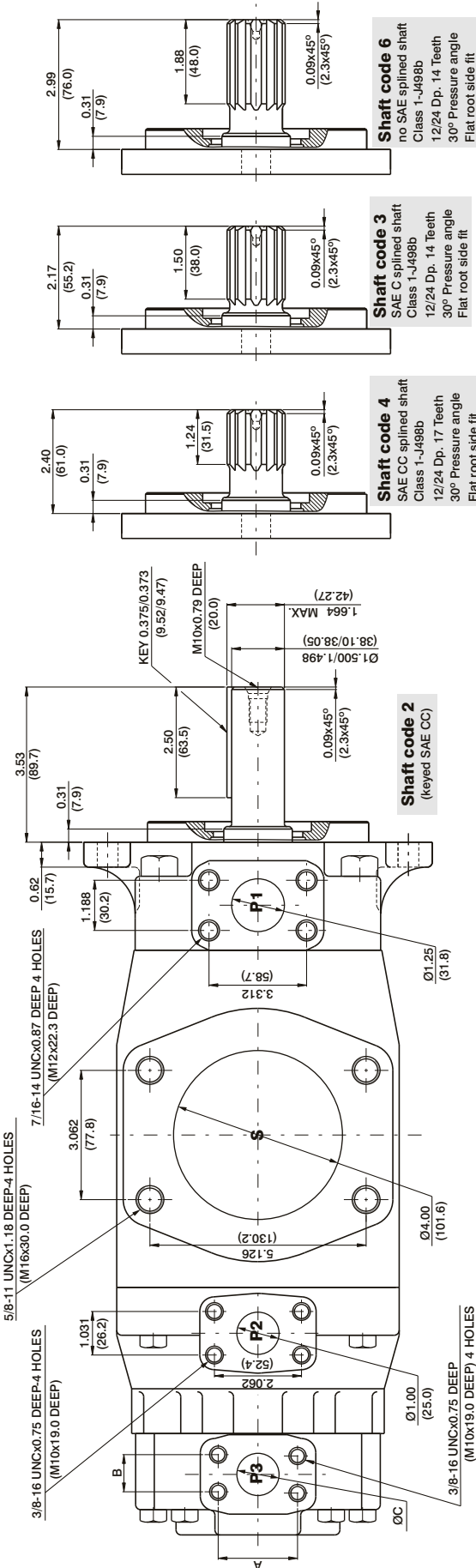
Total hydromechanical power loss is the sum of each section at its operating conditions.

## PERMISSIBLE RADIAL LOAD



Speed n (rpm)

Maximum axial load permissible  $F_a = 1200$  N (270 Lbs)

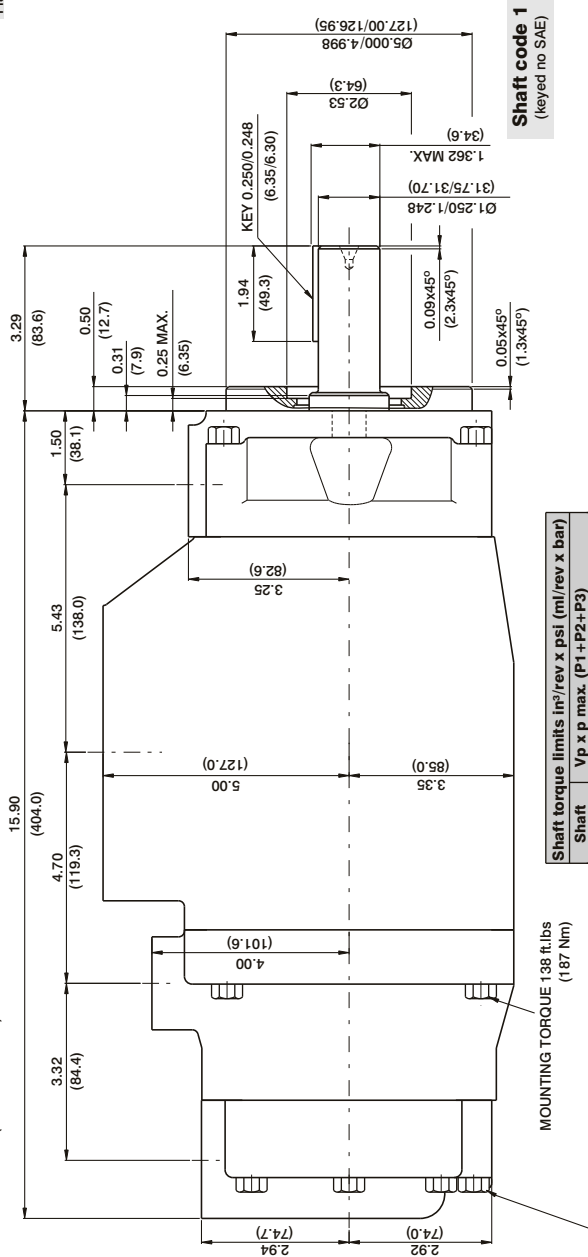
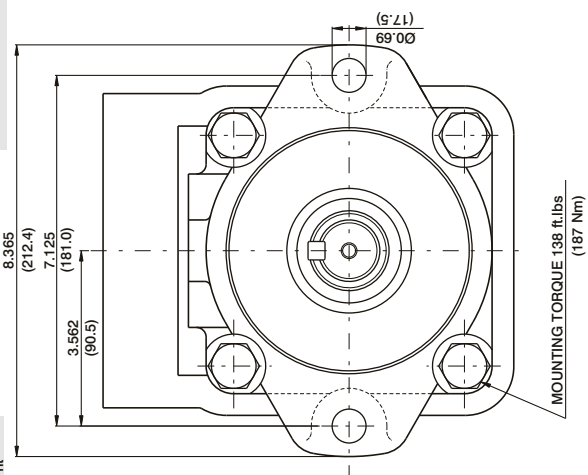


**Shaft code 6**  
no SAE splined shaft  
Class 1-J498b  
12/24 Dp. 14 Teeth  
30° Pressure angle  
Flat root side fit

**Shaft code 3**  
SAE C splined shaft  
Class 1-J498b  
12/24 Dp. 14 Teeth  
30° Pressure angle  
Flat root side fit

**Shaft code 4**  
SAE CC splined shaft  
Class 1-J498b  
12/24 Dp. 17 Teeth  
30° Pressure angle  
Flat root side fit

**Shaft code 2**  
(keyed SAE CC)



**Shaft code 1**  
(keyed no SAE)

Shaft torque limits in<sup>3</sup>/rev x psi (ml/rev x bar)

Shaft	Vp x p max. (P1 + P2 + P3)
1	38289 (43240)
2	58209 (66500)
3	54027 (61200)
4	58902 (66500)

PORT	CODE	A	B	C
00 & M0		2.06 (52.4)	1.03 (26.2)	1.00 (25.4)
P3		1.874 (47.6)	0.874 (22.2)	0.75 (19.05)

MOUNTING TORQUE 138 ft.lbs (187 Nm)

MOUNTING TORQUE 50 ft.lbs (68 Nm)

